

Plug - with screw terminals one piece housing



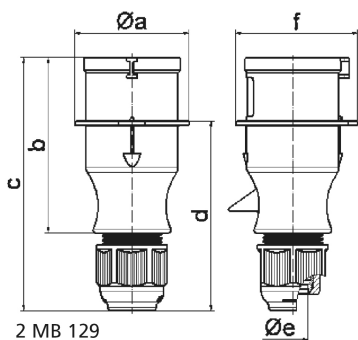
Product description	
BALS-Prd.-Nr	21019-TLS
EAN	4024941199223
Product category	TLS plug with MULTI-GRIP cable gland
Current	32A
Number of poles	4p
Arrangement of phases	3P+PE
Position of earth contact	10 h
Voltage	> 50V~
Frequency	100 - 300Hz

Product description	
Protection degree	IP44
Colour code	green RAL 6002
Colour of appliance	Enclosure green RAL 6002, Cable gland grey RAL 7035
Connection design	with screw terminal
Maximum conductor size	6,0 qmm
Cable entry	with cable gland
Height	167mm
Width	71mm
Depth	81mm
Material of enclosure	Polyamide
Contacts	the contact carrier is made of polyamide, the contacts are brass

Additional technical information	
	one piece housing, MULTI-GRIP cable gland with gasket and integrated strain relief, For cable diameter from 11 up to max. 23,5 mm

Logistics data	
Weight/pcs	0.217 kg / Piece
Packaging	Bag
Content amount	1 ST
EAN	4024941199223

Logistics data	
Length	81 mm
Width	71 mm
Height	167 mm
Weight	0.218 kg
Volume	960.417 ccm
Packaging	Carton
Content amount	10 ST
EAN	4024941962957
Length	245 mm
Width	177 mm
Height	185 mm
Weight	2.303 kg
Volume	7,140 ccm



Ampere	16	16	16	32	32	32
Polzahl	3	4	5	3	4	5
a ø	54,0	60,0	66,0	71,0	71,0	80,0
b	94,5	98,0	101,0	115,0	115,0	119,0
c	138,0	142,0	145,0	170,0	170,0	174,0
d	101,5	105,5	108,5	124,0	124,0	128,0
e ø	18,0	18,0	18,0	23,0	23,0	23,0
f	56,6	64,0	71,0	76,0	76,0	85,0
Leiter mm ² min	1	1	1	2,5	2,5	2,5
Leiter mm ² max	2,5	2,5	2,5	6	6	6