

## Plug - with screw terminals one piece housing



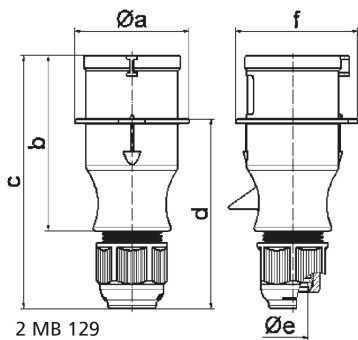
| Product description       |                                      |
|---------------------------|--------------------------------------|
| BALS-Prd.-Nr              | 21021-TLS                            |
| EAN                       | 4024941199247                        |
| Product category          | TLS plug with MULTI-GRIP cable gland |
| Current                   | 32A                                  |
| Number of poles           | 5p                                   |
| Arrangement of phases     | 3p+N+PE                              |
| Position of earth contact | 4 h                                  |
| Voltage                   | 57/100 - 75/130V~                    |
| Frequency                 | 50/60Hz                              |

| Product description    |  |
|------------------------|--|
| Protection degree      | IP44   |
| Colour code            | yellow RAL 1012  |
| Colour of appliance    | Enclosure yellow RAL 1012, Cable gland grey RAL 7035             |
| Connection design      | with screw terminal  |
| Maximum conductor size | 6,0 qmm  |
| Cable entry            | with cable gland   |
| Height                 | 175mm  |
| Width                  | 80mm   |
| Depth                  | 89mm   |
| Material of enclosure  | Polyamide  |
| Contacts               | the contact carrier is made of polyamide, the contacts are brass |

| Additional technical information |   |
|----------------------------------|---|
|                                  | one piece housing, MULTI-GRIP cable gland with gasket and integrated strain relief, For cable diameter from 11 up to max. 23,5 mm |

| Logistics data |                  |
|----------------|------------------|
| Weight/pcs     | 0.248 kg / Piece |
| Packaging      | Bag              |
| Content amount | 1 ST             |
| EAN            | 4024941199247    |

| Logistics data |               |
|----------------|---------------|
| Length         | 89 mm         |
| Width          | 80 mm         |
| Height         | 175 mm        |
| Weight         | 0.249 kg      |
| Volume         | 1,246 ccm     |
| Packaging      | Carton        |
| Content amount | 10 ST         |
| EAN            | 4024941841573 |
| Length         | 258 mm        |
| Width          | 183 mm        |
| Height         | 212 mm        |
| Weight         | 2.632 kg      |
| Volume         | 8,750 ccm     |



| Ampere                     | 16    | 16    | 16    | 32    | 32    | 32    |
|----------------------------|-------|-------|-------|-------|-------|-------|
| Polzahl                    | 3     | 4     | 5     | 3     | 4     | 5     |
| a ø                        | 54,0  | 60,0  | 66,0  | 71,0  | 71,0  | 80,0  |
| b                          | 94,5  | 98,0  | 101,0 | 115,0 | 115,0 | 119,0 |
| c                          | 138,0 | 142,0 | 145,0 | 170,0 | 170,0 | 174,0 |
| d                          | 101,5 | 105,5 | 108,5 | 124,0 | 124,0 | 128,0 |
| e ø                        | 18,0  | 18,0  | 18,0  | 23,0  | 23,0  | 23,0  |
| f                          | 56,6  | 64,0  | 71,0  | 76,0  | 76,0  | 85,0  |
| Leiter mm <sup>2</sup> min | 1     | 1     | 1     | 2,5   | 2,5   | 2,5   |
| Leiter mm <sup>2</sup> max | 2,5   | 2,5   | 2,5   | 6     | 6     | 6     |
|                            |       |       |       |       |       |       |
|                            |       |       |       |       |       |       |
|                            |       |       |       |       |       |       |