

## Plug - with screwless terminals for harsh applications



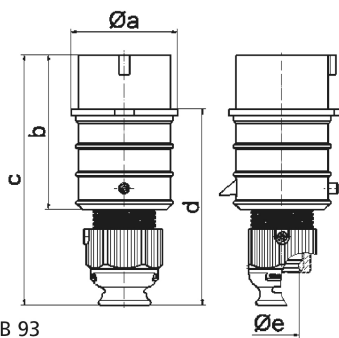
Product description	
BALS-Prd.-Nr	210402
EAN	4024941104685
Product category	QUICK-CONNECT TE plug
Current	16A
Number of poles	3p
Arrangement of phases	2P+PE
Position of earth contact	1 h
Voltage	> 50V for all other not classified voltages and/or frequencies. This time position can additionally process in special applications, in which a distinction to standardized positions needed to be used.

Product description	
Protection degree	IP44
Colour code	grey RAL 7035
Colour of appliance	Housing cover grey RAL 7035, Cable gland grey RAL 7035, Collar grey RAL 7035
Connection design	screwless spring-clamp technology
Maximum conductor size	2,5 qmm
Cable entry	with cable gland
Height	147mm
Width	51mm
Depth	59mm
Material of enclosure	Polyamide
Contacts	the contact carrier is made of high temperature resistant material, the contacts are brass nickel plated

Additional technical information	
	For cable diameter from 8 up to max. 18 mm, MULTI-GRIP cable gland with gasket, integrated cable clamp and additional water evacuation openings

Logistics data	
Weight/pcs	0.124 kg / Piece
Packaging	Bag
Content amount	1 ST
EAN	4024941104685

Logistics data	
Length	59 mm
Width	51 mm
Height	147 mm
Weight	0.125 kg
Volume	442.323 ccm
Packaging	Carton
Content amount	10 ST
EAN	4024941941792
Length	248 mm
Width	158 mm
Height	123 mm
Weight	1.337 kg
Volume	3,960 ccm



2 MB 93

Ampere	16	16	16	32	32	32
Polzahl	3	4	5	3	4	5
a $\varnothing$	51,0	57,5	65,0	66,0	66,0	72,0
b	95,0	95,0	97,0	118,0	118,0	117,0
c	145,0	145,0	152,0	178,0	178,0	181,0
d	109,0	109,0	116,0	133,0	133,0	135,5
e $\varnothing$	18,0	18,0	21,0	23,0	23,0	27,0
Leiter mm <sup>2</sup> min	1	1	1	2,5	2,5	2,5
Leiter mm <sup>2</sup> max	2,5	2,5	2,5	6	6	6