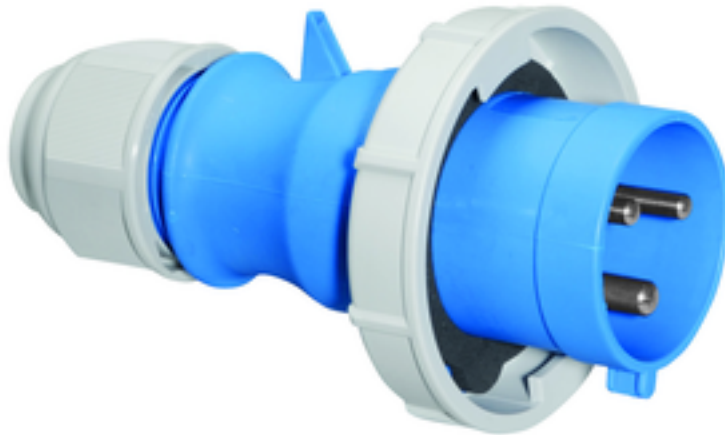


## plug - with screw terminals one piece housing



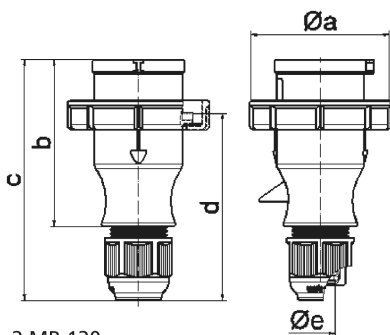
Product description	
BALS-Prd.-Nr	210576
EAN	4024941109765
Product category	TLS plug with Multi-Grip cable gland
Current	16A
Number of poles	3p
Arrangement of phases	2P+PE
Position of earth contact	6 h
Voltage	200 - 250V~
Frequency	50/60Hz

Product description	
Protection degree	IP67
Colour code	blue RAL 5015
Colour of appliance	Enclosure blue RAL 5015, Cable gland grey RAL 7035, Bayonet ring grey RAL 7035
Connection design	with screw terminal
Maximum conductor size	2,5 qmm
Cable entry	with cable gland
Height	140mm
Width	70mm
Depth	70mm
Material of enclosure	Polyamide
Contacts	the contacts are brass nickel plated, The contact carrier is made of polyamide

Additional technical information	
	one piece housing, Multi-Grip cable gland with gasket and integrated strain relief, For cable diameter from 8 up to max. 18 mm

Logistics data	
Weight/pcs	0.148 kg / Piece
Packaging	Bag
Content amount	1 ST
EAN	4024941109765

Logistics data	
Length	70 mm
Width	70 mm
Height	140 mm
Weight	0.149 kg
Volume	686 ccm
Packaging	Carton
Content amount	10 ST
EAN	4024941832144
Length	275 mm
Width	175 mm
Height	137 mm
Weight	1.605 kg
Volume	5,737.5 ccm



2 MB 130

Ampere	16	16	16	32	32	32
Polzahl	3	4	5	3	4	5
a ø	70,0	78,0	86,0	94,0	94,0	101,0
b	94,5	98,0	101,0	115,0	115,0	119,0
c	138,0	142,0	145,0	170,0	170,0	174,0
d	105,5	109,5	112,5	128,0	128,0	132,0
e ø	18,0	18,0	18,0	23,0	23,0	23,0
Leiter mm² min	1	1	1	2,5	2,5	2,5
Leiter mm² max	2,5	2,5	2,5	6	6	6