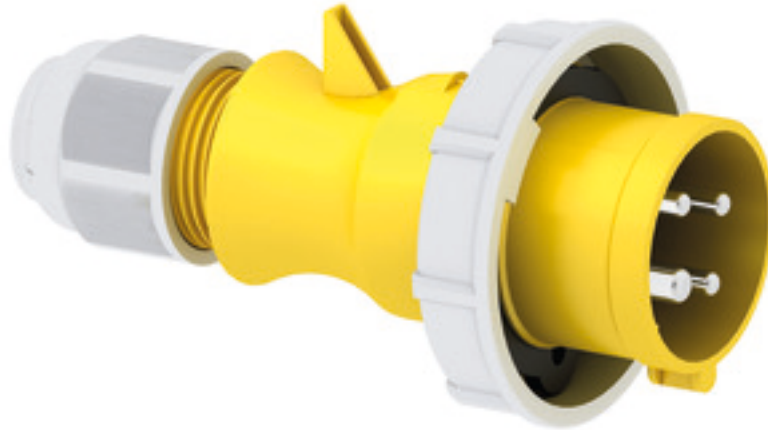


## Plug - with screw terminals one piece housing



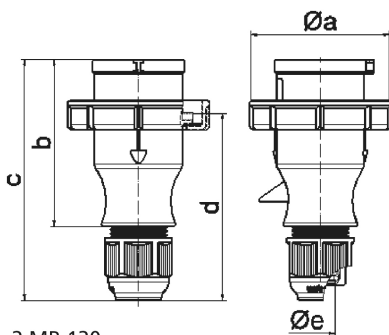
| Product description       |                                      |
|---------------------------|--------------------------------------|
| BALS-Prd.-Nr              | 210581                               |
| EAN                       | 4024941109819                        |
| Product category          | TLS plug with MULTI-GRIP cable gland |
| Current                   | 16A                                  |
| Number of poles           | 4p                                   |
| Arrangement of phases     | 3P+PE                                |
| Position of earth contact | 4 h                                  |
| Voltage                   | 100 - 130V~                          |
| Frequency                 | 50/60Hz                              |

| Product description    |  |
|------------------------|--|
| Protection degree      | IP67   |
| Colour code            | yellow RAL 1012  |
| Colour of appliance    | Enclosure yellow RAL 1012, Bayonet ring grey RAL 7035, Cable gland grey RAL 7035 |
| Connection design      | with screw terminal  |
| Maximum conductor size | 2,5 qmm  |
| Cable entry            | with cable gland   |
| Height                 | 143mm  |
| Width                  | 78mm   |
| Depth                  | 78mm   |
| Material of enclosure  | Polyamide  |
| Contacts               | the contact carrier is made of polyamide, the contacts are brass nickel plated   |

| Additional technical information |  |
|----------------------------------|--|
|                                  | one piece housing, MULTI-GRIP cable gland with gasket and integrated strain relief, For cable diameter from 8 up to max. 18 mm |

| Logistics data |                  |
|----------------|------------------|
| Weight/pcs     | 0.152 kg / Piece |
| Packaging      | Bag              |
| Content amount | 1 ST             |
| EAN            | 4024941109819    |

| Logistics data |               |
|----------------|---------------|
| Length         | 78 mm         |
| Width          | 78 mm         |
| Height         | 143 mm        |
| Weight         | 0.153 kg      |
| Volume         | 870.012 ccm   |
| Packaging      | Carton        |
| Content amount | 10 ST         |
| EAN            | 4024941832090 |
| Length         | 245 mm        |
| Width          | 177 mm        |
| Height         | 185 mm        |
| Weight         | 1.653 kg      |
| Volume         | 7,140 ccm     |



| Ampere         | 16    | 16    | 16    | 32    | 32    | 32    |
|----------------|-------|-------|-------|-------|-------|-------|
| Polzahl        | 3     | 4     | 5     | 3     | 4     | 5     |
| a ø            | 70,0  | 78,0  | 86,0  | 94,0  | 94,0  | 101,0 |
| b              | 94,5  | 98,0  | 101,0 | 115,0 | 115,0 | 119,0 |
| c              | 138,0 | 142,0 | 145,0 | 170,0 | 170,0 | 174,0 |
| d              | 105,5 | 109,5 | 112,5 | 128,0 | 128,0 | 132,0 |
| e ø            | 18,0  | 18,0  | 18,0  | 23,0  | 23,0  | 23,0  |
| Leiter mm² min | 1     | 1     | 1     | 2,5   | 2,5   | 2,5   |
| Leiter mm² max | 2,5   | 2,5   | 2,5   | 6     | 6     | 6     |
|                |       |       |       |       |       |       |
|                |       |       |       |       |       |       |
|                |       |       |       |       |       |       |
|                |       |       |       |       |       |       |