

Plug - with TE screw terminals for harsh applications



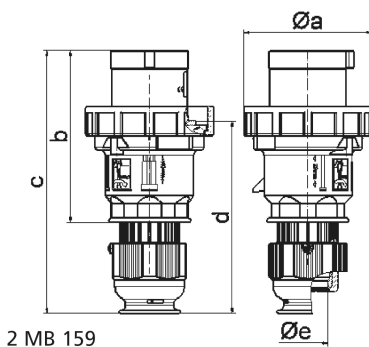
| Product description | |
|---------------------------|---------------------|
| BALS-Prd.-Nr | 21060 |
| EAN | 4024941210607 |
| Product category | TE plug |
| Current | 63A |
| Number of poles | 5p |
| Arrangement of phases | 3p+N+PE |
| Position of earth contact | 7 h |
| Voltage | 277/480 - 288/500V~ |
| Frequency | 50/60Hz |

| Product description | |
|------------------------|--|
| Protection degree | IP67 |
| Colour code | black RAL 9005 |
| Colour of appliance | Pusher grey RAL 7035, Collar black RAL 9005, Bayonet ring grey RAL 7035, Cable gland grey RAL 7035, Housing cover black RAL 9005 |
| Connection design | screw terminal as box terminal |
| Maximum conductor size | 16,0 qmm |
| Cable entry | with cable gland |
| Height | 234mm |
| Width | 114mm |
| Depth | 114mm |
| Material of enclosure | Polyamide |
| Contacts | the contact carrier is made of high temperature resistant material, the contacts are brass nickel plated |

| Additional technical information | |
|----------------------------------|--|
| | For cable diameter from 16 up to max. 36 mm, Screwless housing connection, MULTI-GRIP cable gland with gasket, integrated cable clamp and additional water evacuation openings |

| Logistics data | |
|----------------|------------------|
| Weight/pcs | 0.705 kg / Piece |
| Packaging | Bag |
| Content amount | 1 ST |

| Logistics data | |
|----------------|---------------|
| EAN | 4024941210607 |
| Length | 114 mm |
| Width | 114 mm |
| Height | 234 mm |
| Weight | 0.706 kg |
| Volume | 3,041.064 ccm |
| Packaging | Carton |
| Content amount | 5 ST |
| EAN | 4024941940351 |
| Length | 325 mm |
| Width | 217 mm |
| Height | 210 mm |
| Weight | 3.731 kg |
| Volume | 13,588.4 ccm |



| Ampere | 63 | 63 | 63 | | | | |
|----------------|-------|-------|-------|--|--|--|--|
| Polzahl | 3 | 4 | 5 | | | | |
| a ø | 113,5 | 113,5 | 113,5 | | | | |
| b | 153,0 | 153,0 | 153,0 | | | | |
| c | 233,0 | 233,0 | 233,0 | | | | |
| d | 171,0 | 171,0 | 171,0 | | | | |
| e ø | 36,0 | 36,0 | 36,0 | | | | |
| Leiter mm² min | 6 | 6 | 6 | | | | |
| Leiter mm² max | 16 | 16 | 16 | | | | |
| | | | | | | | |
| | | | | | | | |
| | | | | | | | |
| | | | | | | | |