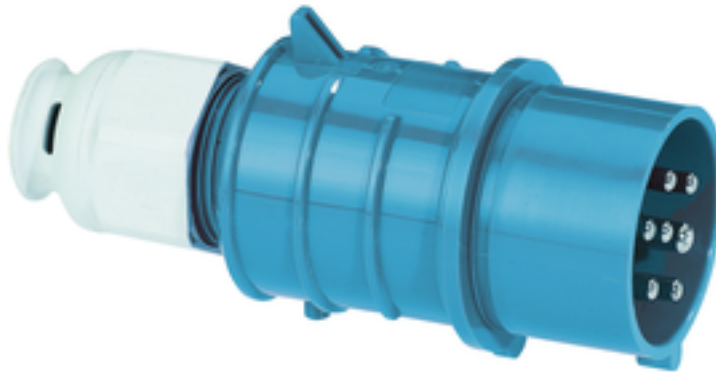


## plug - 7 poles, with Multi-Grip



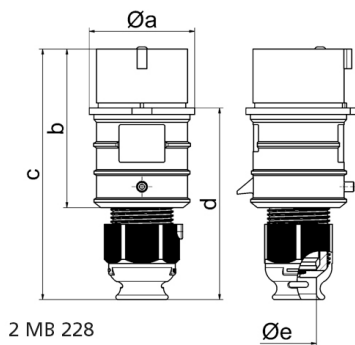
| Product description       |               |
|---------------------------|---------------|
| BALS-Prd.-Nr              | 210636        |
| EAN                       | 4024941108386 |
| Product category          | TE plug       |
| Current                   | 32A           |
| Number of poles           | 7p            |
| Arrangement of phases     | 6p+PE         |
| Position of earth contact | 9 h           |
| Voltage                   | 230V~         |
| Frequency                 | 50/60Hz       |

| Product description    |  |
|------------------------|--|
| Protection degree      | IP44   |
| Colour code            | blue RAL 5015  |
| Colour of appliance    | Collar blue RAL 5015, Housing cover blue RAL 5015, Cable gland grey RAL 7035                             |
| Connection design      | with screw terminal  |
| Maximum conductor size | 6,0 qmm  |
| Cable entry            | with cable gland   |
| Height                 | 181mm  |
| Width                  | 72mm   |
| Depth                  | 87mm   |
| Material of enclosure  | Polyamide  |
| Contacts               | The contact carrier is made of high temperature resistant material, the contacts are brass nickel plated |

| Additional technical information |  |
|----------------------------------|--|
|                                  | Multi-Grip cable gland with gasket, integrated cable clamp and additional water evacuation openings, For cable diameter from 11 up to max. 23,5 mm |

| Logistics data |                  |
|----------------|------------------|
| Weight/pcs     | 0.345 kg / Piece |
| Packaging      | Bag              |
| Content amount | 1 ST             |
| EAN            | 4024941108386    |

| Logistics data |               |
|----------------|---------------|
| Length         | 87 mm         |
| Width          | 72 mm         |
| Height         | 181 mm        |
| Weight         | 0.346 kg      |
| Volume         | 1,133.784 ccm |
| Packaging      | Carton        |
| Content amount | 10 ST         |
| EAN            | 4024941968331 |
| Length         | 258 mm        |
| Width          | 183 mm        |
| Height         | 212 mm        |
| Weight         | 3.602 kg      |
| Volume         | 8,750 ccm     |



|                            |       |       |  |  |  |  |  |
|----------------------------|-------|-------|--|--|--|--|--|
| Ampere                     | 16    | 32    |  |  |  |  |  |
| Polzahl                    | 7     | 7     |  |  |  |  |  |
| a ø                        | 65,0  | 72,0  |  |  |  |  |  |
| b                          | 97,0  | 117,0 |  |  |  |  |  |
| c                          | 152,0 | 181,0 |  |  |  |  |  |
| d                          | 116,0 | 135,5 |  |  |  |  |  |
| e ø                        | 21,0  | 27,0  |  |  |  |  |  |
| Leiter mm <sup>2</sup> min | 1     | 2,5   |  |  |  |  |  |
| Leiter mm <sup>2</sup> max | 2,5   | 6     |  |  |  |  |  |
|                            |       |       |  |  |  |  |  |
|                            |       |       |  |  |  |  |  |
|                            |       |       |  |  |  |  |  |
|                            |       |       |  |  |  |  |  |