

Plug - with screwless terminals for harsh applications



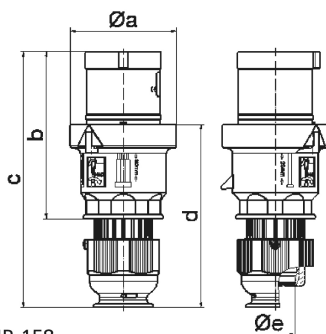
| Product description | |
|---------------------------|-----------------------|
| BALS-Prd.-Nr | 210761 |
| EAN | 4024941146951 |
| Product category | QUICK-CONNECT TE plug |
| Current | 63A |
| Number of poles | 4p |
| Arrangement of phases | 3P+PE |
| Position of earth contact | 6 h |
| Voltage | 380 - 415V~ |
| Frequency | 50/60Hz |

| Product description | |
|------------------------|--|
| Protection degree | IP44 |
| Colour code | red RAL 3000 |
| Colour of appliance | Pusher grey RAL 7035, Housing cover red RAL 3000, Collar red RAL 3000, Cable gland grey RAL 7035 |
| Connection design | screwless spring-clamp technology with box terminals |
| Maximum conductor size | 16,0 qmm |
| Cable entry | with cable gland |
| Height | 234mm |
| Width | 97mm |
| Depth | 98mm |
| Material of enclosure | Polyamide |
| Contacts | the contact carrier is made of high temperature resistant material, the contacts are brass nickel plated |

| Additional technical information | |
|----------------------------------|--|
| | For cable diameter from 16 up to max. 36 mm, Screwless housing connection, MULTI-GRIP cable gland with gasket, integrated cable clamp and additional water evacuation openings |

| Logistics data | |
|----------------|-----------------|
| Weight/pcs | 0.66 kg / Piece |
| Packaging | Bag |
| Content amount | 1 ST |

| Logistics data | |
|----------------|---------------|
| EAN | 4024941146951 |
| Length | 98 mm |
| Width | 97 mm |
| Height | 234 mm |
| Weight | 0.661 kg |
| Volume | 2,224.404 ccm |
| Packaging | Carton |
| Content amount | 5 ST |
| EAN | 4024941965415 |
| Length | 325 mm |
| Width | 217 mm |
| Height | 210 mm |
| Weight | 3.506 kg |
| Volume | 13,588.4 ccm |



2 MB 158

| Ampere | 63 | 63 | 63 | | | | |
|----------------------------|-------|-------|-------|--|--|--|--|
| Polzahl | 3 | 4 | 5 | | | | |
| a \varnothing | 96,0 | 96,0 | 96,0 | | | | |
| b | 153,0 | 153,0 | 153,0 | | | | |
| c | 233,0 | 233,0 | 233,0 | | | | |
| d | 167,0 | 167,0 | 167,0 | | | | |
| e \varnothing | 36,0 | 36,0 | 36,0 | | | | |
| Leiter mm ² min | 6 | 6 | 6 | | | | |
| Leiter mm ² max | 16 | 16 | 16 | | | | |
| | | | | | | | |
| | | | | | | | |
| | | | | | | | |
| | | | | | | | |