

plug - with screwless terminals, for harsh applications



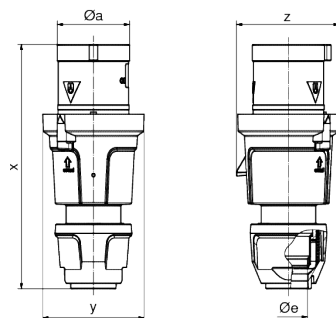
Product description	
BALS-Prd.-Nr	210763
EAN	4024941197359
Product category	QUICK-CONNECT TE plug
Current	63A
Number of poles	4p
Arrangement of phases	3P+PE
Position of earth contact	7 h
Voltage	480 - 500V~
Frequency	50/60Hz

Product description	
Protection degree	IP44
Colour code	black RAL 9005
Colour of appliance	Collar black RAL 9005, Pusher black RAL 9005, Housing cover dark grey RAL 7012, Cable gland dark grey RAL 7012
Connection design	screwless spring-clamp technology with box terminals
Maximum conductor size	16,0 qmm
Cable entry	with cable gland
Height	234mm
Width	97mm
Depth	98mm
Material of enclosure	Polyamide
Contacts	The contact carrier is made of high temperature resistant material, the contacts are brass nickel plated

Additional technical information	
	Screwless housing connection, Multi-Grip cable gland with gasket and integrated strain relief, For cable diameter from 16 up to max. 36 mm

Logistics data	
Weight/pcs	0.67 kg / Piece
Packaging	Bag
Content amount	1 ST

Logistics data	
EAN	4024941197359
Length	100 mm
Width	97 mm
Height	234 mm
Weight	0.671 kg
Volume	2,269.8 ccm
Packaging	Carton
Content amount	5 ST
EAN	4024941958776
Length	325 mm
Width	217 mm
Height	210 mm
Weight	3.556 kg
Volume	13,588.4 ccm



Ampere	63	63	63
Polzahl	3	4	5
$\varnothing a$	69,0	69,0	69,0
$\varnothing e$	36,0	36,0	36,0
x	233,0	233,0	233,0
y	97,0	97,0	97,0
z	98,0	98,0	98,0
Cond. mm ² min	6,0	6,0	6,0
Cond. mm ² max	16,0	16,0	16,0



