

Event plug, black - for event technology



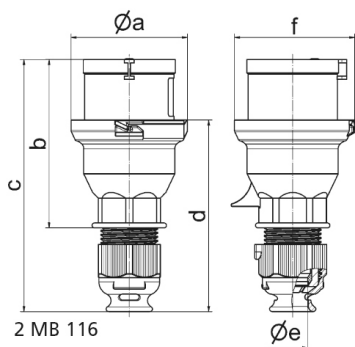
| Product description | |
|---------------------------|---------------------|
| BALS-Prd.-Nr | 210791 |
| EAN | 4024941145732 |
| Product category | QUICK-CONNECT plug |
| Current | 32A |
| Number of poles | 5p |
| Arrangement of phases | 3p+N+PE |
| Position of earth contact | 6 h |
| Voltage | 200/346 - 240/415V~ |
| Frequency | 50/60Hz |

| Product description | |
|------------------------|---|
| Protection degree | IP44 |
| Colour code | red RAL 3000 |
| Colour of appliance | Housing cover black RAL 9005, Cable gland black RAL 9005, Collar black RAL 9005 |
| Connection design | screwless spring-clamp technology |
| Maximum conductor size | 6,0 qmm |
| Cable entry | with cable gland |
| Height | 179mm |
| Width | 92mm |
| Depth | 88mm |
| Material of enclosure | Polyamide |
| Contacts | the contacts are brass nickel plated, The contact carrier is made of polyamide |

| Additional technical information | |
|----------------------------------|--|
| | For cable diameter from 11 up to max. 23,5 mm, Multi-Grip cable gland with gasket and integrated strain relief, Screwless housing connection |

| Logistics data | |
|----------------|------------------|
| Weight/pcs | 0.264 kg / Piece |
| Packaging | Bag |
| Content amount | 1 ST |
| EAN | 4024941145732 |

| Logistics data | |
|----------------|---------------|
| Length | 88 mm |
| Width | 92 mm |
| Height | 179 mm |
| Weight | 0.265 kg |
| Volume | 1,449.184 ccm |
| Packaging | Carton |
| Content amount | 10 ST |
| EAN | 4024941840446 |
| Length | 295 mm |
| Width | 185 mm |
| Height | 215 mm |
| Weight | 2.804 kg |
| Volume | 9,975 ccm |



| Ampere | 16 | 16 | 16 | 32 | 32 | 32 |
|----------------------------|-------|-------|-------|-------|-------|-------|
| Polzahl | 3 | 4 | 5/7 | 3 | 4 | 5/7 |
| a ø | 53,0 | 60,0 | 66,0 | 74,5 | 74,5 | 74,5 |
| b | 93,5 | 100,5 | 103,0 | 121,0 | 121,0 | 121,5 |
| c | 144,0 | 151,0 | 152,0 | 184,0 | 184,0 | 184,5 |
| d | 107,5 | 114,5 | 115,5 | 138,0 | 138,0 | 138,5 |
| e ø | 18,0 | 18,0 | 18,0 | 23,0 | 23,0 | 23,0 |
| f | 57,5 | 64,5 | 70,5 | 78,0 | 78,0 | 80,0 |
| Leiter mm ² min | 1 | 1 | 1 | 2,5 | 2,5 | 2,5 |
| Leiter mm ² max | 2,5 | 2,5 | 2,5 | 6 | 6 | 6 |
| | | | | | | |
| | | | | | | |
| | | | | | | |