

## Plug event-technology black - for event technology



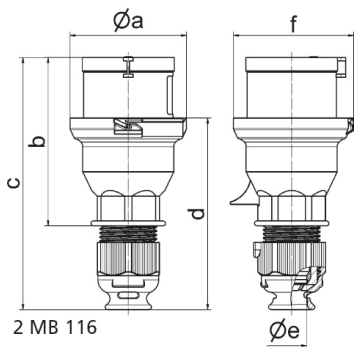
Product description	
BALS-Prd.-Nr	210791
EAN	4024941145732
Product category	QUICK-CONNECT plug
Current	32A
Number of poles	5p
Arrangement of phases	3p+N+PE
Position of earth contact	6 h
Voltage	200/346 - 240/415V~
Frequency	50/60Hz

Product description	
Protection degree	IP44
Colour code	red RAL 3000
Colour of appliance	Collar black RAL 9005, Housing cover black RAL 9005, Cable gland black RAL 9005
Connection design	screwless spring-clamp technology
Maximum conductor size	6,0 qmm
Cable entry	with cable gland
Height	179mm
Width	92mm
Depth	88mm
Material of enclosure	Polyamide
Contacts	the contact carrier is made of polyamide, the contacts are brass nickel plated

Additional technical information	
	MULTI-GRIP cable gland with gasket and integrated strain relief, For cable diameter from 11 up to max. 23,5 mm, Screwless housing connection

Logistics data	
Weight/pcs	0.264 kg / Piece
Packaging	Bag
Content amount	1 ST
EAN	4024941145732

Logistics data	
Length	88 mm
Width	92 mm
Height	179 mm
Weight	0.265 kg
Volume	1,449.184 ccm
Packaging	Carton
Content amount	10 ST
EAN	4024941840446
Length	295 mm
Width	185 mm
Height	215 mm
Weight	2.804 kg
Volume	9,975 ccm



Ampere	16	16	16	32	32	32
Polzahl	3	4	5/7	3	4	5/7
a ø	53,0	60,0	66,0	74,5	74,5	74,5
b	93,5	100,5	103,0	121,0	121,0	121,5
c	144,0	151,0	152,0	184,0	184,0	184,5
d	107,5	114,5	115,5	138,0	138,0	138,5
e ø	18,0	18,0	18,0	23,0	23,0	23,0
f	57,5	64,5	70,5	78,0	78,0	80,0
Leiter mm <sup>2</sup> min	1	1	1	2,5	2,5	2,5
Leiter mm <sup>2</sup> max	2,5	2,5	2,5	6	6	6