

Plug event-technology black - for event technology



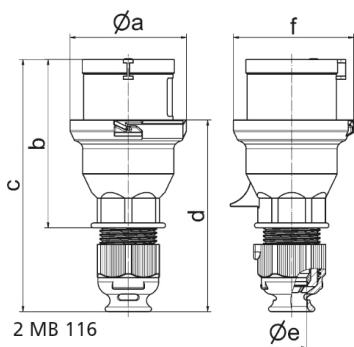
| Product description | |
|---------------------------|---------------------|
| BALS-Prd.-Nr | 211104 |
| EAN | 4024941950732 |
| Product category | QUICK-CONNECT plug |
| Current | 16A |
| Number of poles | 5p |
| Arrangement of phases | 3p+N+PE |
| Position of earth contact | 6 h |
| Voltage | 200/346 - 240/415V~ |
| Frequency | 50/60Hz |

| Product description | |
|------------------------|---|
| Protection degree | IP44 |
| Colour code | red RAL 3000 |
| Colour of appliance | Collar black RAL 9005, Housing cover black RAL 9005, Cable gland black RAL 9005 |
| Connection design | screwless spring-clamp technology |
| Maximum conductor size | 2,5 qmm |
| Cable entry | with cable gland |
| Height | 147mm |
| Width | 71mm |
| Depth | 75mm |
| Material of enclosure | Polyamide |
| Contacts | the contact carrier is made of polyamide, the contacts are brass nickel plated |

| Additional technical information | |
|----------------------------------|---|
| | MULTI-GRIP cable gland with gasket and integrated strain relief, Screwless housing connection with snap fastening, For cable diameter from 8 up to max. 18 mm |

| Logistics data | |
|----------------|------------------|
| Weight/pcs | 0.157 kg / Piece |
| Packaging | Bag |
| Content amount | 1 ST |
| EAN | 4024941950732 |

| Logistics data | |
|----------------|---------------|
| Length | 75 mm |
| Width | 71 mm |
| Height | 147 mm |
| Weight | 0.158 kg |
| Volume | 782.775 ccm |
| Packaging | Carton |
| Content amount | 10 ST |
| EAN | 4024941840422 |
| Length | 245 mm |
| Width | 177 mm |
| Height | 185 mm |
| Weight | 1.703 kg |
| Volume | 7,140 ccm |



| Ampere | 16 | 16 | 16 | 32 | 32 | 32 |
|----------------------------|-------|-------|-------|-------|-------|-------|
| Polzahl | 3 | 4 | 5/7 | 3 | 4 | 5/7 |
| a ø | 53,0 | 60,0 | 66,0 | 74,5 | 74,5 | 74,5 |
| b | 93,5 | 100,5 | 103,0 | 121,0 | 121,0 | 121,5 |
| c | 144,0 | 151,0 | 152,0 | 184,0 | 184,0 | 184,5 |
| d | 107,5 | 114,5 | 115,5 | 138,0 | 138,0 | 138,5 |
| e ø | 18,0 | 18,0 | 18,0 | 23,0 | 23,0 | 23,0 |
| f | 57,5 | 64,5 | 70,5 | 78,0 | 78,0 | 80,0 |
| Leiter mm ² min | 1 | 1 | 1 | 2,5 | 2,5 | 2,5 |
| Leiter mm ² max | 2,5 | 2,5 | 2,5 | 6 | 6 | 6 |
| | | | | | | |
| | | | | | | |
| | | | | | | |