

Plug event-technology black - for event technology



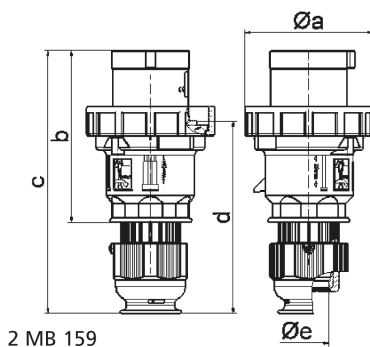
Product description	
BALS-Prd.-Nr	211127
EAN	4024941786836
Product category	TE plug
Current	63A
Number of poles	3p
Arrangement of phases	2P+PE
Position of earth contact	6 h
Voltage	200 - 250V~
Frequency	50/60Hz

Product description	
Protection degree	IP67
Colour code	blue RAL 5015
Colour of appliance	Pusher grey RAL 7035, Collar black RAL 9005, Collar blue RAL 5015, Bayonet ring grey RAL 7035, Housing cover grey RAL 7035, Cable gland grey RAL 7035, Housing cover black RAL 9005, Cable gland black RAL 9005
Connection design	screw terminal as box terminal
Maximum conductor size	16,0 qmm
Cable entry	with cable gland
Height	234mm
Width	114mm
Depth	114mm
Material of enclosure	Polyamide
Contacts	the contact carrier is made of high temperature resistant material, the contacts are brass nickel plated

Additional technical information	
	For cable diameter from 16 up to max. 36 mm, Screwless housing connection, MULTI-GRIP cable gland with gasket, integrated cable clamp and additional water evacuation openings

Logistics data	
Weight/pcs	0.59 kg / Piece
Packaging	Bag
Content amount	1 ST

Logistics data	
EAN	4024941786836
Length	114 mm
Width	114 mm
Height	234 mm
Weight	0.591 kg
Volume	3,041.064 ccm
Packaging	Carton
Content amount	5 ST
EAN	4024941786843
Length	325 mm
Width	217 mm
Height	210 mm
Weight	3.156 kg
Volume	13,588.4 ccm



Ampere Polzahl	63 3	63 4	63 5				
a ø	113,5	113,5	113,5				
b	153,0	153,0	153,0				
c	233,0	233,0	233,0				
d	171,0	171,0	171,0				
e ø	36,0	36,0	36,0				
Leiter mm² min	6	6	6				
Leiter mm² max	16	16	16				

