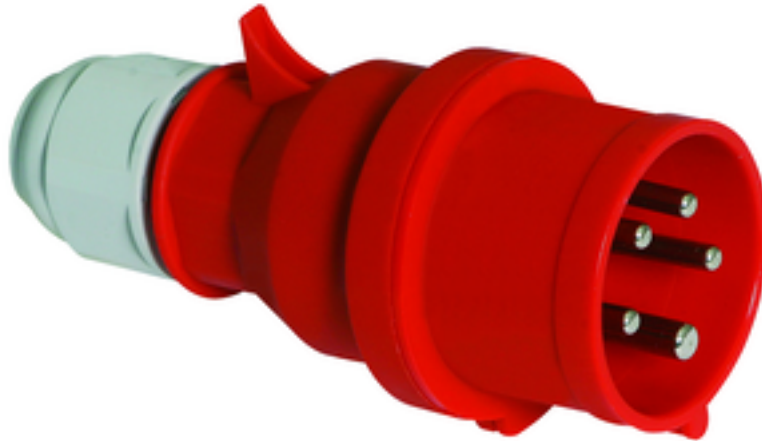


## plug - with screwless terminals



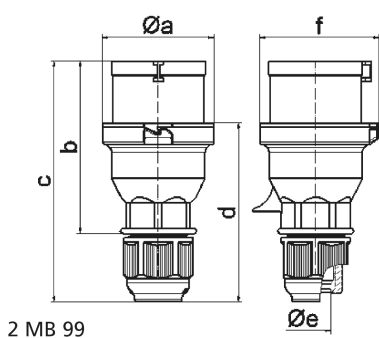
Product description	
BALS-Prd.-Nr	2136
EAN	4024941021364
Product category	QUICK-CONNECT plug
Current	16A
Number of poles	5p
Arrangement of phases	3p+N+PE
Position of earth contact	6 h
Voltage	200/346 - 240/415V~
Frequency	50/60Hz

Product description	
Protection degree	IP44
Colour code	red RAL 3000
Colour of appliance	Collar red RAL 3000, Housing cover red RAL 3000, Cable gland grey RAL 7035
Connection design	screwless spring-clamp technology
Maximum conductor size	2,5 qmm
Cable entry	with cable gland
Height	147mm
Width	71mm
Depth	75mm
Material of enclosure	Polyamide
Contacts	The contacts are brass, The contact carrier is made of polyamide

Additional technical information	
	For cable diameter from 8 up to max. 18 mm, Screwless housing connection with snap fastening, Multi-Grip cable gland with gasket and integrated strain relief

Logistics data	
Weight/pcs	0.172 kg / Piece
Packaging	Carton
Content amount	10 ST
EAN	4024941004831

Logistics data	
Length	275 mm
Width	175 mm
Height	137 mm
Weight	1.845 kg
Volume	5,737.5 ccm
Packaging	Pallet
Content amount	1,520 ST
EAN	4024941969710
Length	1,200 mm
Width	800 mm
Height	1,220 mm
Weight	301.44 kg
Volume	1.171 m3



Ampere	16	16	16	32	32	32
Polzahl	3	4	5	3	4	5
a ø	53,0	60,0	66,0	74,5	74,5	74,5
b	93,5	100,5	103,0	121,0	121,0	121,5
c	134,0	141,0	142,0	174,0	174,0	174,5
d	97,5	104,5	105,5	128,0	128,0	128,5
e ø	18,0	18,0	18,0	23,0	23,0	23,0
f	57,5	64,5	70,5	78,0	78,0	80,0
Leiter mm <sup>2</sup> min	1	1	1	2,5	2,5	2,5
Leiter mm <sup>2</sup> max	2,5	2,5	2,5	6	6	6