

plug - with TE screw terminals, for harsh applications



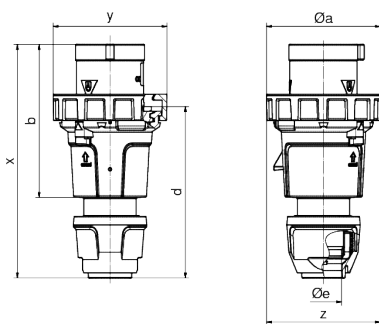
Product description	
BALS-Prd.-Nr	21375
EAN	4024941213752
Product category	TE plug
Current	63A
Number of poles	4p
Arrangement of phases	3P+PE
Position of earth contact	2 h
Voltage	> 50V~
Frequency	> 300 - 500Hz

Product description	
Protection degree	IP67
Colour code	green RAL 6002
Colour of appliance	Collar green RAL 6002, Pusher black RAL 9005, Housing cover dark grey RAL 7012, Cable gland dark grey RAL 7012, Bajonet ring dark grey RAL 7012
Connection design	screw terminal as box terminal
Maximum conductor size	16,0 qmm
Cable entry	with cable gland
Height	234mm
Width	114mm
Depth	114mm
Material of enclosure	Polyamide
Contacts	the contacts are brass nickel plated, The contact carrier is made of high temperature resistant material

Additional technical information	
	For cable diameter from 16 up to max. 36 mm, Screwless housing connection, Multi-Grip cable gland with gasket and integrated strain relief

Logistics data	
Weight/pcs	0.68 kg / Piece
Packaging	Carton
Content amount	5 ST
EAN	4024941832274

Logistics data	
Length	325 mm
Width	217 mm
Height	210 mm
Weight	3.602 kg
Volume	13,588.4 ccm



Ampere Polzahl	63 3	63 4	63 5
ø a	114,0	114,0	114,0
b	153,0	153,0	153,0
d	171,0	171,0	171,0
ø e	36,0	36,0	36,0
x	233,0	233,0	233,0
y	114,0	114,0	114,0
z	114,0	114,0	114,0
Cond. mm ² min	6,0	6,0	6,0
Cond. mm ² max	16,0	16,0	16,0



