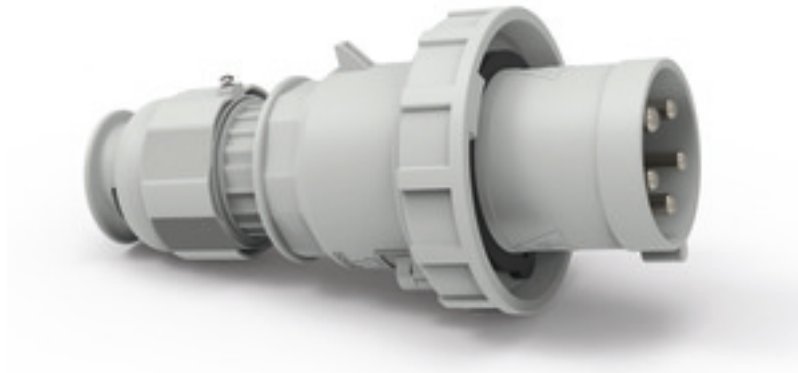


## Plug - with TE screw terminals for harsh applications



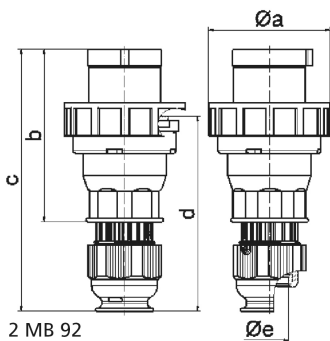
Product description	
BALS-Prd.-Nr	21400
EAN	4024941214001
Product category	TE plug
Current	63A
Number of poles	5p
Arrangement of phases	3p+N+PE
Position of earth contact	1 h
Voltage	> 50V for all other not classified voltages and/or frequencies. This time position can additionally process in special applications, in which a distinction to standardized positions needed to be used.

Product description	
Protection degree	IP67
Colour code	grey RAL 7035
Colour of appliance	Pusher grey RAL 7035, Bayonet ring grey RAL 7035, Housing cover grey RAL 7035, Cable gland grey RAL 7035, Collar grey RAL 7035
Connection design	screw terminal as box terminal
Maximum conductor size	16,0 qmm
Cable entry	with cable gland
Height	234mm
Width	114mm
Depth	114mm
Material of enclosure	Polyamide
Contacts	the contact carrier is made of high temperature resistant material, the contacts are brass nickel plated

Additional technical information	
	For cable diameter from 16 up to max. 36 mm, MULTI-GRIP cable gland with gasket, integrated cable clamp and additional water evacuation openings

Logistics data	
Weight/pcs	0.715 kg / Piece
Packaging	Bag
Content amount	1 ST

Logistics data	
EAN	4024941214001
Length	114 mm
Width	114 mm
Height	234 mm
Weight	0.716 kg
Volume	3,041.064 ccm
Packaging	Carton
Content amount	5 ST
EAN	4024941886444
Length	325 mm
Width	217 mm
Height	210 mm
Weight	3.781 kg
Volume	13,588.4 ccm



Ampere	63	63	63					
Polzahl	3	4	5					
a ø	113,5	113,5	113,5					
b	164,0	164,0	164,0					
c	245,0	245,0	245,0					
d	177,0	177,0	177,0					
e ø	36,0	36,0	36,0					
Leiter mm <sup>2</sup> min	6	6	6					
Leiter mm <sup>2</sup> max	16	16	16					

