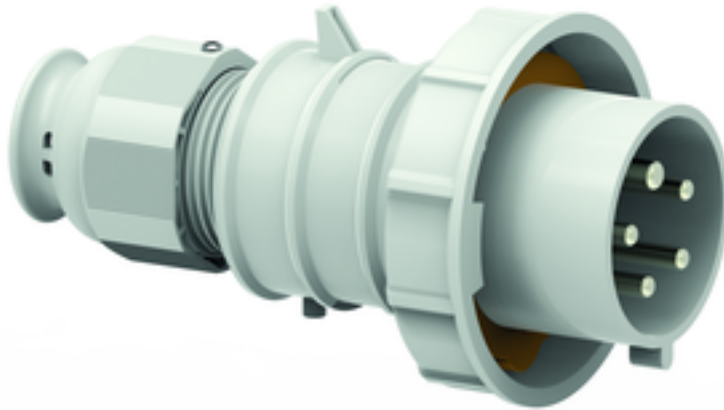


plug - with screwless terminals, for harsh applications



Product description	
BALS-Prd.-Nr	21457
EAN	4024941214575
Product category	QUICK-CONNECT TE plug
Current	16A
Number of poles	5p
Arrangement of phases	3p+N+PE
Position of earth contact	1 h
Voltage	> 50V for all other not classified voltages and/or frequencies. This time position can additionally process in special applications, in which a distinction to standardized positions needed to be used.

Product description	
Protection degree	IP67
Colour code	grey RAL 7035
Colour of appliance	Cable gland grey RAL 7035, Collar grey RAL 7035, Housing cover grey RAL 7035, Bayonet ring grey RAL 7035
Connection design	screwless spring-clamp technology
Maximum conductor size	2,5 qmm
Cable entry	with cable gland
Height	154mm
Width	87mm
Depth	87mm
Material of enclosure	Polyamide
Contacts	The contact carrier is made of high temperature resistant material, the contacts are brass nickel plated

Additional technical information	
	Multi-Grip cable gland with gasket, integrated cable clamp and additional water evacuation openings, For cable diameter from 10 up to max. 21 mm

Logistics data	
Weight/pcs	0.215 kg / Piece
Packaging	Bag
Content amount	1 ST
EAN	4024941214575

Logistics data	
Length	87 mm
Width	87 mm
Height	154 mm
Weight	0.216 kg
Volume	1,165.626 ccm
Packaging	Carton
Content amount	10 ST
EAN	4024941844512
Length	258 mm
Width	183 mm
Height	212 mm
Weight	2.302 kg
Volume	8,750 ccm

