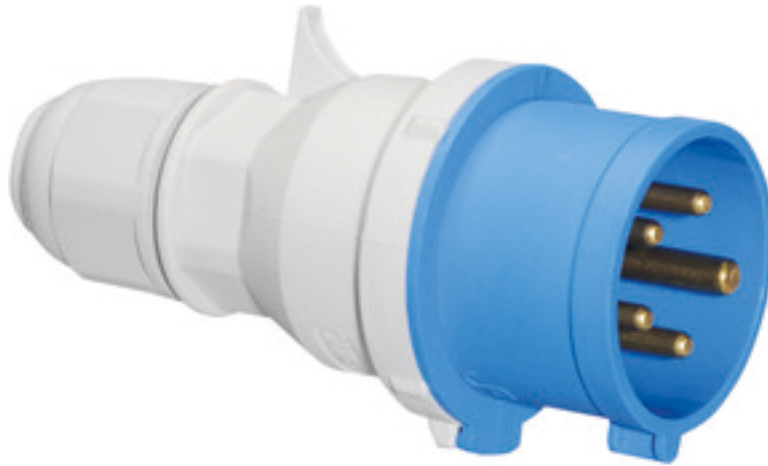


Plug - with screwless terminals



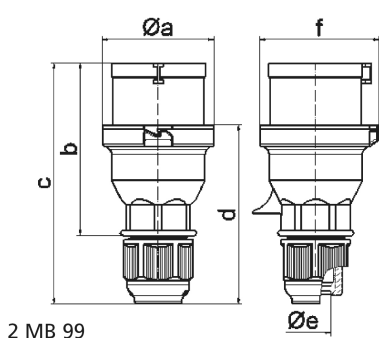
Product description	
BALS-Prd.-Nr	2147
EAN	4024941021470
Product category	QUICK-CONNECT plug
Current	32A
Number of poles	5p
Arrangement of phases	3p+N+PE
Position of earth contact	9 h
Voltage	120/208 - 144/250V~
Frequency	50/60Hz

Product description	
Protection degree	IP44
Colour code	blue RAL 5015
Colour of appliance	Collar blue RAL 5015, Housing cover grey RAL 7035, Cable gland grey RAL 7035
Connection design	screwless spring-clamp technology
Maximum conductor size	6,0 qmm
Cable entry	with cable gland
Height	178mm
Width	79mm
Depth	88mm
Material of enclosure	Polyamide
Contacts	the contact carrier is made of polyamide, the contacts are brass

Additional technical information	
	MULTI-GRIP cable gland with gasket and integrated strain relief, Screwless housing connection with snap fastening, For cable diameter from 11 up to max. 23,5 mm

Logistics data	
Weight/pcs	0.263 kg / Piece
Packaging	Bag
Content amount	1 ST
EAN	4024941021470

Logistics data	
Length	88 mm
Width	79 mm
Height	178 mm
Weight	0.264 kg
Volume	1,237.456 ccm
Packaging	Carton
Content amount	10 ST
EAN	4024941828703
Length	295 mm
Width	185 mm
Height	215 mm
Weight	2.794 kg
Volume	9,975 ccm



Ampere	16	16	16	32	32	32
Polzahl	3	4	5	3	4	5
a ø	53,0	60,0	66,0	74,5	74,5	74,5
b	93,5	100,5	103,0	121,0	121,0	121,5
c	134,0	141,0	142,0	174,0	174,0	174,5
d	97,5	104,5	105,5	128,0	128,0	128,5
e ø	18,0	18,0	18,0	23,0	23,0	23,0
f	57,5	64,5	70,5	78,0	78,0	80,0
Leiter mm ² min	1	1	1	2,5	2,5	2,5
Leiter mm ² max	2,5	2,5	2,5	6	6	6