

Plug - for reefer containers with cable gland



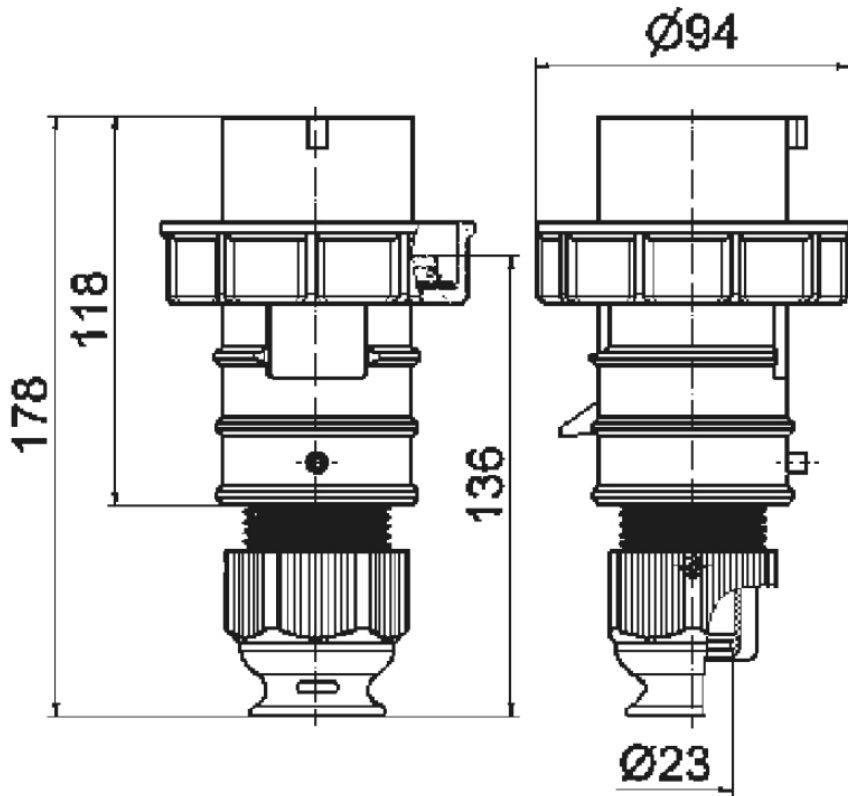
| Product description | |
|---------------------------|--|
| BALS-Prd.-Nr | 2148509 |
| EAN | 4024941059220 |
| Product category | QUICK-CONNECT TE plug |
| Current | 32A |
| Number of poles | 4p |
| Arrangement of phases | 3P+PE |
| Position of earth contact | 3 h |
| Voltage | 380V~(50Hz) 440V~(60Hz) for reefer containers only |
| Frequency | 50/60Hz |

| Product description | |
|------------------------|--|
| Protection degree | IP67 |
| Colour code | red RAL 3000 |
| Colour of appliance | Housing cover red RAL 3000, Collar red RAL 3000, Bayonet ring grey RAL 7035, Cable gland grey RAL 7035 |
| Connection design | screwless spring-clamp technology |
| Maximum conductor size | 6,0 qmm |
| Cable entry | with cable gland |
| Height | 180mm |
| Width | 94mm |
| Depth | 94mm |
| Material of enclosure | Polyamide |
| Contacts | the contact carrier is made of high temperature resistant material, the contacts are brass nickel plated |

| Additional technical information | |
|----------------------------------|--|
| | For cable diameter from 11 up to max. 23,5 mm, MULTI-GRIP cable gland with gasket, integrated cable clamp and additional water evacuation openings |

| Logistics data | |
|----------------|------------------|
| Weight/pcs | 0.291 kg / Piece |
| Packaging | Bag |
| Content amount | 1 ST |

| Logistics data | |
|----------------|---------------|
| EAN | 4024941059220 |
| Length | 94 mm |
| Width | 94 mm |
| Height | 180 mm |
| Weight | 0.292 kg |
| Volume | 1,590.48 ccm |
| Packaging | Carton |
| Content amount | 10 ST |
| EAN | 4024941848947 |
| Length | 325 mm |
| Width | 217 mm |
| Height | 210 mm |
| Weight | 3.116 kg |
| Volume | 13,588.4 ccm |



2 MB 111