

## plug - with TE screw terminals, for harsh applications

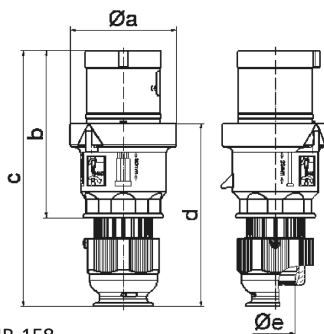


Product description	
BALS-Prd.-Nr	21515
EAN	4024941215152
Product category	TE plug
Current	63A
Number of poles	4p
Arrangement of phases	3P+PE
Position of earth contact	5 h
Voltage	600 - 690V~
Frequency	50/60Hz

Product description	
Protection degree	IP44
Colour code	black RAL 9005
Colour of appliance	Pusher grey RAL 7035, Cable gland grey RAL 7035, Collar black RAL 9005, Housing cover grey RAL 7035
Connection design	screw terminal as box terminal
Maximum conductor size	16,0 qmm
Cable entry	with cable gland
Height	234mm
Width	97mm
Depth	98mm
Material of enclosure	Polyamide
Contacts	The contact carrier is made of high temperature resistant material, the contacts are brass nickel plated

Logistics data	
Weight/pcs	0.6 kg / Piece
Packaging	Bag
Content amount	1 ST
EAN	4024941215152
Length	98 mm
Width	97 mm
Height	234 mm

Logistics data	
Weight	0.601 kg
Volume	2,224.404 ccm
Packaging	Carton
Content amount	5 ST
EAN	4024941822398
Length	325 mm
Width	217 mm
Height	210 mm
Weight	3.206 kg
Volume	13,588.4 ccm



2 MB 158

Ampere	63	63	63				
Polzahl	3	4	5				
a ø	96,0	96,0	96,0				
b	153,0	153,0	153,0				
c	233,0	233,0	233,0				
d	167,0	167,0	167,0				
e ø	36,0	36,0	36,0				
Leiter mm <sup>2</sup> min	6	6	6				
Leiter mm <sup>2</sup> max	16	16	16				



