

## Plug - with TE screw terminals for harsh applications



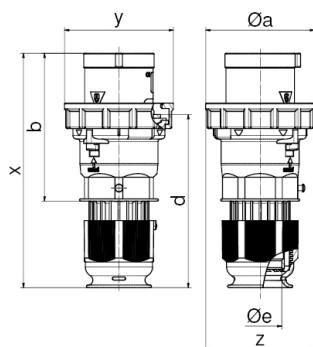
| Product description       |                     |
|---------------------------|---------------------|
| BALS-Prd.-Nr              | 21555               |
| EAN                       | 4024941215558       |
| Product category          | TE plug             |
| Current                   | 125A                |
| Number of poles           | 5p                  |
| Arrangement of phases     | 3p+N+PE             |
| Position of earth contact | 7 h                 |
| Voltage                   | 277/480 - 288/500V~ |
| Frequency                 | 50/60Hz             |

| Product description    |  |
|------------------------|--|
| Protection degree      | IP67   |
| Colour code            | black RAL 9005   |
| Colour of appliance    | Pusher grey RAL 7035, Collar black RAL 9005, Bayonet ring grey RAL 7035, Cable gland grey RAL 7035, Housing cover black RAL 9005 |
| Connection design      | screw terminal as box terminal   |
| Maximum conductor size | 50.0 qmm   |
| Cable entry            | with cable gland   |
| Height                 | 273mm  |
| Width                  | 126mm  |
| Depth                  | 126mm  |
| Material of enclosure  | Polyamide  |
| Contacts               | the contact carrier is made of high temperature resistant material, the contacts are brass nickel plated                         |

| Additional technical information |  |
|----------------------------------|--|
|                                  | For cable diameter from 26 up to max. 50 mm, MULTI-GRIP cable gland with gasket, integrated cable clamp and additional water evacuation openings |

| Logistics data |                  |
|----------------|------------------|
| Weight/pcs     | 1.245 kg / Piece |
| Packaging      | Bag              |
| Content amount | 1 ST             |

| Logistics data |               |
|----------------|---------------|
| EAN            | 4024941215558 |
| Length         | 126 mm        |
| Width          | 126 mm        |
| Height         | 273 mm        |
| Weight         | 1.246 kg      |
| Volume         | 4,334.148 ccm |
| Packaging      | Carton        |
| Content amount | 5 ST          |
| EAN            | 4024941822428 |
| Length         | 345 mm        |
| Width          | 345 mm        |
| Height         | 217 mm        |
| Weight         | 6.56 kg       |
| Volume         | 24,276 ccm    |



| Ampere Polzahl | 125A<br>3 | 125<br>4 | 125<br>5 |
|----------------|-----------|----------|----------|
| ø a            | 126,0     | 126,0    | 126,0    |
| b              | 171,0     | 171,0    | 171,0    |
| d              | 202,0     | 202,0    | 202,0    |
| ø e            | 50,0      | 50,0     | 50,0     |
| x              | 273,0     | 273,0    | 273,0    |
| y              | 126,0     | 126,0    | 126,0    |
| z              | 126,0     | 126,0    | 126,0    |
|                |           |          |          |
|                |           |          |          |
|                |           |          |          |

