

## Plug - with screwless terminals for harsh applications



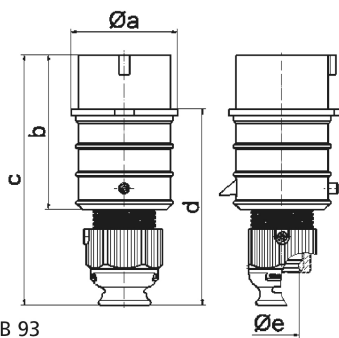
Product description	
BALS-Prd.-Nr	21688
EAN	4024941216883
Product category	QUICK-CONNECT TE plug
Current	16A
Number of poles	4p
Arrangement of phases	3P+PE
Position of earth contact	7 h
Voltage	480 - 500V~
Frequency	50/60Hz

Product description	
Protection degree	IP44
Colour code	black RAL 9005
Colour of appliance	Collar black RAL 9005, Cable gland grey RAL 7035, Housing cover black RAL 9005
Connection design	screwless spring-clamp technology
Maximum conductor size	2,5 qmm
Cable entry	with cable gland
Height	154mm
Width	58mm
Depth	66mm
Material of enclosure	Polyamide
Contacts	the contact carrier is made of high temperature resistant material, the contacts are brass nickel plated

Additional technical information	
	For cable diameter from 8 up to max. 18 mm, MULTI-GRIP cable gland with gasket, integrated cable clamp and additional water evacuation openings

Logistics data	
Weight/pcs	0.143 kg / Piece
Packaging	Bag
Content amount	1 ST
EAN	4024941216883

Logistics data	
Length	66 mm
Width	58 mm
Height	154 mm
Weight	0.144 kg
Volume	589.512 ccm
Packaging	Carton
Content amount	10 ST
EAN	4024941961431
Length	275 mm
Width	175 mm
Height	137 mm
Weight	1.555 kg
Volume	5,737.5 ccm



2 MB 93

Ampere	16	16	16	32	32	32
Polzahl	3	4	5	3	4	5
a $\varnothing$	51,0	57,5	65,0	66,0	66,0	72,0
b	95,0	95,0	97,0	118,0	118,0	117,0
c	145,0	145,0	152,0	178,0	178,0	181,0
d	109,0	109,0	116,0	133,0	133,0	135,5
e $\varnothing$	18,0	18,0	21,0	23,0	23,0	27,0
Leiter mm <sup>2</sup> min	1	1	1	2,5	2,5	2,5
Leiter mm <sup>2</sup> max	2,5	2,5	2,5	6	6	6