

plug - with screwless terminals, for harsh applications



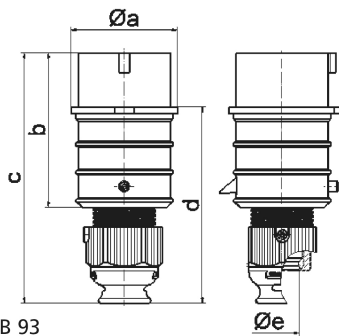
| Product description | |
|---------------------------|-----------------------|
| BALS-Prd.-Nr | 21692 |
| EAN | 4024941216920 |
| Product category | QUICK-CONNECT TE plug |
| Current | 32A |
| Number of poles | 4p |
| Arrangement of phases | 3P+PE |
| Position of earth contact | 7 h |
| Voltage | 480 - 500V~ |
| Frequency | 50/60Hz |

| Product description | |
|------------------------|--|
| Protection degree | IP44 |
| Colour code | black RAL 9005 |
| Colour of appliance | Collar black RAL 9005, Housing cover black RAL 9005, Cable gland grey RAL 7035 |
| Connection design | screwless spring-clamp technology |
| Maximum conductor size | 6,0 qmm |
| Cable entry | with cable gland |
| Height | 180mm |
| Width | 66mm |
| Depth | 79mm |
| Material of enclosure | Polyamide |
| Contacts | The contact carrier is made of high temperature resistant material, the contacts are brass nickel plated |

| Additional technical information | |
|----------------------------------|--|
| | Multi-Grip cable gland with gasket, integrated cable clamp and additional water evacuation openings, For cable diameter from 11 up to max. 23,5 mm |

| Logistics data | |
|----------------|------------------|
| Weight/pcs | 0.243 kg / Piece |
| Packaging | Bag |
| Content amount | 1 ST |
| EAN | 4024941216920 |

| Logistics data | |
|----------------|---------------|
| Length | 79 mm |
| Width | 66 mm |
| Height | 180 mm |
| Weight | 0.244 kg |
| Volume | 938.52 ccm |
| Packaging | Carton |
| Content amount | 10 ST |
| EAN | 4024941940412 |
| Length | 258 mm |
| Width | 183 mm |
| Height | 212 mm |
| Weight | 2.582 kg |
| Volume | 8,750 ccm |



2 MB 93

| Ampere | 16 | 16 | 16 | 32 | 32 | 32 |
|----------------------------|-------|-------|-------|-------|-------|-------|
| Polzahl | 3 | 4 | 5 | 3 | 4 | 5 |
| a \varnothing | 51,0 | 57,5 | 65,0 | 66,0 | 66,0 | 72,0 |
| b | 95,0 | 95,0 | 97,0 | 118,0 | 118,0 | 117,0 |
| c | 145,0 | 145,0 | 152,0 | 178,0 | 178,0 | 181,0 |
| d | 109,0 | 109,0 | 116,0 | 133,0 | 133,0 | 135,5 |
| e \varnothing | 18,0 | 18,0 | 21,0 | 23,0 | 23,0 | 27,0 |
| Leiter mm ² min | 1 | 1 | 1 | 2,5 | 2,5 | 2,5 |
| Leiter mm ² max | 2,5 | 2,5 | 2,5 | 6 | 6 | 6 |
| | | | | | | |
| | | | | | | |
| | | | | | | |
| | | | | | | |