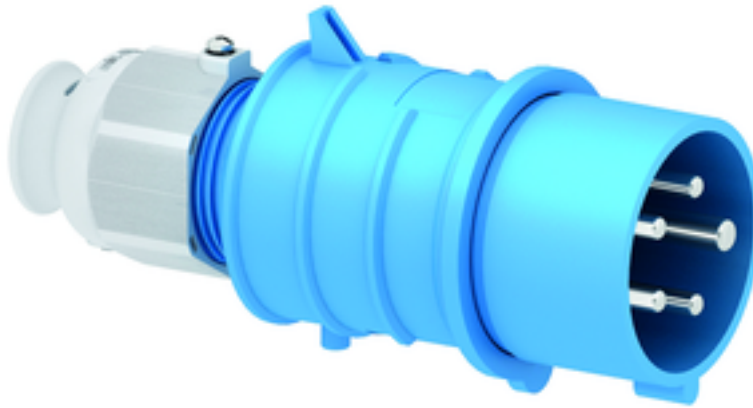


plug - with screwless terminals, for harsh applications



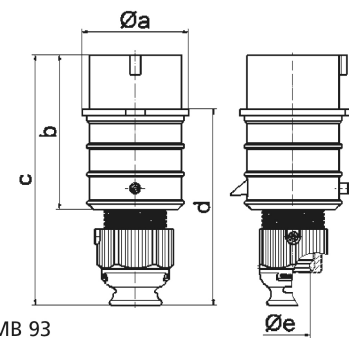
Product description	
BALS-Prd.-Nr	21840
EAN	4024941218405
Product category	QUICK-CONNECT TE plug
Current	16A
Number of poles	5p
Arrangement of phases	3p+N+PE
Position of earth contact	9 h
Voltage	120/208 - 144/250V~
Frequency	50/60Hz

Product description	
Protection degree	IP44
Colour code	blue RAL 5015
Colour of appliance	Collar blue RAL 5015, Housing cover blue RAL 5015, Cable gland grey RAL 7035
Connection design	screwless spring-clamp technology
Maximum conductor size	2,5 qmm
Cable entry	with cable gland
Height	154mm
Width	65mm
Depth	74mm
Material of enclosure	Polyamide
Contacts	The contact carrier is made of high temperature resistant material, the contacts are brass nickel plated

Additional technical information	
	Multi-Grip cable gland with gasket, integrated cable clamp and additional water evacuation openings, For cable diameter from 10 up to max. 21 mm

Logistics data	
Weight/pcs	0.179 kg / Piece
Packaging	Bag
Content amount	1 ST
EAN	4024941218405

Logistics data	
Length	74 mm
Width	65 mm
Height	154 mm
Weight	0.18 kg
Volume	740.74 ccm
Packaging	Carton
Content amount	10 ST
EAN	4024941831666
Length	245 mm
Width	177 mm
Height	185 mm
Weight	1.923 kg
Volume	7,140 ccm



Ampere	16	16	16	32	32	32
Polzahl	3	4	5	3	4	5
a ø	51,0	57,5	65,0	66,0	66,0	72,0
b	95,0	95,0	97,0	118,0	118,0	117,0
c	145,0	145,0	152,0	178,0	178,0	181,0
d	109,0	109,0	116,0	133,0	133,0	135,5
e ø	18,0	18,0	21,0	23,0	23,0	27,0
Leiter mm² min	1	1	1	2,5	2,5	2,5
Leiter mm² max	2,5	2,5	2,5	6	6	6

2 MB 93