

Plug direct-current - for direct current with MULTI-GRIP



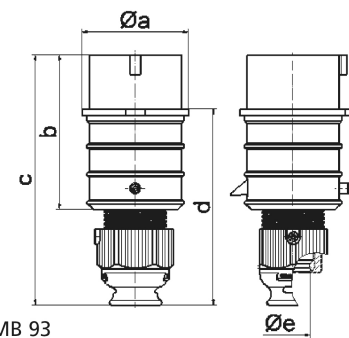
Product description	
BALS-Prd.-Nr	21882
EAN	4024941218825
Product category	QUICK-CONNECT TE plug
Current	16A
Number of poles	3p
Arrangement of phases	2P+PE
Position of earth contact	8 h
Voltage	> 250V DC
Frequency	DC

Product description	
Protection degree	IP44
Colour code	grey RAL 7035
Colour of appliance	Housing cover grey RAL 7035, Cable gland grey RAL 7035, Collar grey RAL 7035
Connection design	screwless spring-clamp technology
Maximum conductor size	2,5 qmm
Cable entry	with cable gland
Height	147mm
Width	51mm
Depth	59mm
Material of enclosure	Polyamide
Contacts	the contact carrier is made of high temperature resistant material, the contacts are brass nickel plated

Additional technical information	
	For cable diameter from 8 up to max. 18 mm, MULTI-GRIP cable gland with gasket, integrated cable clamp and additional water evacuation openings

Logistics data	
Weight/pcs	0.125 kg / Piece
Packaging	Bag
Content amount	1 ST
EAN	4024941218825

Logistics data	
Length	59 mm
Width	51 mm
Height	147 mm
Weight	0.126 kg
Volume	442.323 ccm
Packaging	Carton
Content amount	10 ST
EAN	4024941837743
Length	248 mm
Width	158 mm
Height	123 mm
Weight	1.347 kg
Volume	3,960 ccm



Ampere	16	16	16	32	32	32
Polzahl	3	4	5	3	4	5
a ø	51,0	57,5	65,0	66,0	66,0	72,0
b	95,0	95,0	97,0	118,0	118,0	117,0
c	145,0	145,0	152,0	178,0	178,0	181,0
d	109,0	109,0	116,0	133,0	133,0	135,5
e ø	18,0	18,0	21,0	23,0	23,0	27,0
Leiter mm² min	1	1	1	2,5	2,5	2,5
Leiter mm² max	2,5	2,5	2,5	6	6	6

2 MB 93