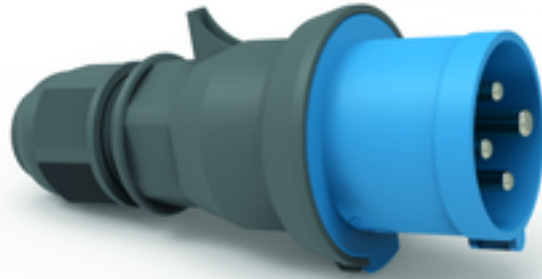


phase inverter - with screwless terminals



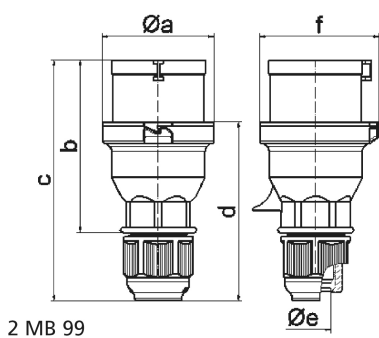
Product description	
BALS-Prd.-Nr	22052
EAN	4024941220521
Product category	QUICK-CONNECT phase inverter MULTI-GRIP cable gland
Current	16A
Number of poles	4p
Arrangement of phases	3P+PE
Position of earth contact	9 h
Voltage	200 - 250V~
Frequency	50/60Hz

Product description	
Protection degree	IP54
Colour code	blue RAL 5015
Colour of appliance	Collar blue RAL 5015, Cable gland dark grey RAL 7012, Housing cover dark grey RAL 7012
Connection design	screwless spring-clamp technology
Maximum conductor size	2,5 qmm
Cable entry	with cable gland
Height	146mm
Width	60mm
Depth	65mm
Material of enclosure	Polyamide
Contacts	the contacts are brass nickel plated, The contact carrier is made of polyamide

Additional technical information	
	MULTI-GRIP cable gland with gasket and integrated strain relief, For cable diameter from 8 up to max. 18 mm, The enclosure components are connected without screws and are secured by a snap-lock mechanism. Opening is only possible with a screwdriver.

Logistics data	
Weight/pcs	0.136 kg / Piece
Packaging	Bag
Content amount	1 ST

Logistics data	
EAN	4024941220521
Length	65 mm
Width	60 mm
Height	146 mm
Weight	0.137 kg
Volume	569.4 ccm
Packaging	Carton
Content amount	10 ST
EAN	4024941961448
Length	275 mm
Width	175 mm
Height	137 mm
Weight	1.485 kg
Volume	5,737.5 ccm



Ampere	16	16	16	32	32	32
Polzahl	3	4	5	3	4	5
a ø	53,0	60,0	66,0	74,5	74,5	74,5
b	93,5	100,5	103,0	121,0	121,0	121,5
c	134,0	141,0	142,0	174,0	174,0	174,5
d	97,5	104,5	105,5	128,0	128,0	128,5
e ø	18,0	18,0	18,0	23,0	23,0	23,0
f	57,5	64,5	70,5	78,0	78,0	80,0
Leiter mm ² min	1	1	1	2,5	2,5	2,5
Leiter mm ² max	2,5	2,5	2,5	6	6	6

