

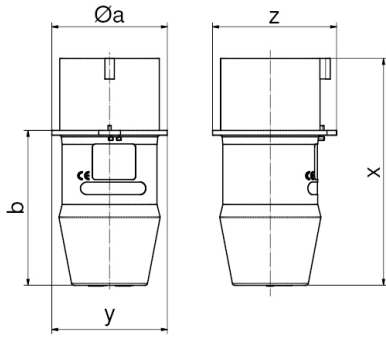
Phase sequence indicator - test plug



Product description	
BALS-Prd.-Nr	2213
EAN	4024941022132
Product category	Phase sequence indicator
Current	16A
Number of poles	5p
Arrangement of phases	3p+N+PE
Position of earth contact	9 h
Voltage	120/208 - 144/250V~
Frequency	50/60Hz

Product description	
Protection degree	IP44
Indication three phases	yes
Motor rotation direction tester	no
Contact less detection of the sense of rotation	yes
Height	117mm
Width	64mm
Depth	64mm

Logistics data	
Weight/pcs	0.172 kg / Piece
Packaging	Carton
Content amount	1 ST
EAN	4024941834391
Length	205 mm
Width	102 mm
Height	134 mm
Weight	0.232 kg
Volume	2,118.48 ccm



Ampere Polzahl	16 4	16 5	32 4	32 5
Ø a	58,0	64,0	66,0	73,0
b	76,0	80,0	95,0	98,0
x	112,0	116,0	141,0	144,0
y	58,0	64,0	66,0	73,0
z	63,0	68,0	78,0	79,0