

phase sequence indicator - test plug

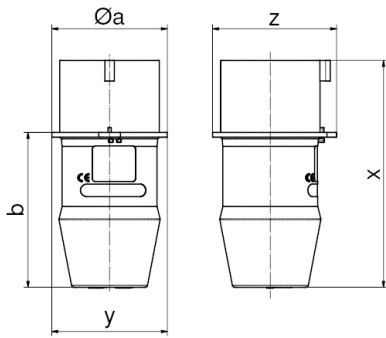


Product description	
BALS-Prd.-Nr	2215
EAN	4024941022156
Product category	Phase sequence indicator
Current	16A
Number of poles	5p
Arrangement of phases	3p+N+PE
Position of earth contact	7 h
Voltage	277/480 - 288/500V~
Frequency	50/60Hz

Product description	
Protection degree	IP44
Height	117mm
Width	64mm
Depth	64mm

Logistics data	
Weight/pcs	0.18 kg / Piece
Packaging	Bag
Content amount	1 ST
EAN	4024941022156
Length	64 mm
Width	64 mm
Height	117 mm
Weight	0.181 kg
Volume	479.232 ccm
Packaging	Carton
Content amount	10 ST
EAN	4024941834476
Length	275 mm
Width	175 mm
Height	137 mm

Logistics data	
Weight	1.925 kg
Volume	5,737.5 ccm



Ampere Polzahl	16 4	16 5	32 4	32 5
$\varnothing a$	58,0	64,0	66,0	73,0
b	76,0	80,0	95,0	98,0
x	112,0	116,0	141,0	144,0
y	58,0	64,0	66,0	73,0
z	63,0	68,0	78,0	79,0