

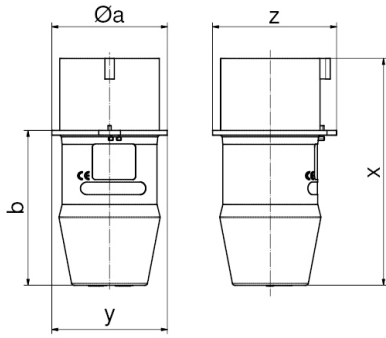
## phase sequence indicator - test plug



Product description	
BALS-Prd.-Nr	2219
EAN	4024941022194
Product category	Phase sequence indicator
Current	32A
Number of poles	5p
Arrangement of phases	3p+N+PE
Position of earth contact	9 h
Voltage	120/208 - 144/250V~
Frequency	50/60Hz

Product description	
Protection degree	IP44
Display of the three phases	TRUE
Motor rotation direction test.	FALSE
No-contact detection of direc.	TRUE
Height	143mm
Width	73mm
Depth	73mm

Logistics data	
Weight/pcs	0.255 kg / Piece
Packaging	Bag
Content amount	1 ST
EAN	4024941022194
Length	73 mm
Width	73 mm
Height	143 mm
Weight	0.256 kg
Volume	762.047 ccm



Ampere Polzahl	16 4	16 5	32 4	32 5
$\varnothing a$	58,0	64,0	66,0	73,0
b	76,0	80,0	95,0	98,0
x	112,0	116,0	141,0	144,0
y	58,0	64,0	66,0	73,0
z	63,0	68,0	78,0	79,0