

Phase sequence indicator - test plug

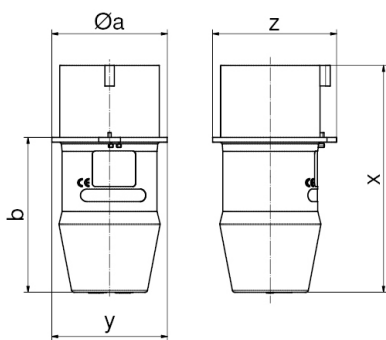


Product description	
BALS-Prd.-Nr	2220
EAN	4024941022200
Product category	Phase sequence indicator
Current	32A
Number of poles	5p
Arrangement of phases	3p+N+PE
Position of earth contact	6 h
Voltage	200/346 - 240/415V~
Frequency	50/60Hz

Product description	
Protection degree	IP44
Indication three phases	yes
Motor rotation direction tester	no
Contact less detection of the sense of rotation	yes
Height	143mm
Width	73mm
Depth	73mm

Logistics data	
Weight/pcs	0.25 kg / Piece
Packaging	Bag
Content amount	1 ST
EAN	4024941022200
Length	73 mm
Width	73 mm
Height	143 mm
Weight	0.251 kg
Volume	762.047 ccm
Packaging	Carton
Content amount	10 ST
EAN	4024941952996

Logistics data	
Length	245 mm
Width	177 mm
Height	185 mm
Weight	2.633 kg
Volume	7,140 ccm



Ampere	16	16	32	32
Polzahl	4	5	4	5
$\varnothing a$	58,0	64,0	66,0	73,0
b	76,0	80,0	95,0	98,0
x	112,0	116,0	141,0	144,0
y	58,0	64,0	66,0	73,0
z	63,0	68,0	78,0	79,0