

phase inverter - with screwless terminals



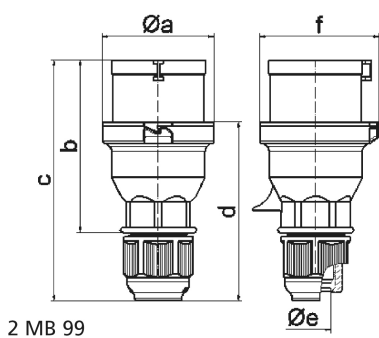
| Product description | |
|---------------------------|---|
| BALS-Prd.-Nr | 224 |
| EAN | 4024941002240 |
| Product category | QUICK-CONNECT phase inverter MULTI-GRIP cable gland |
| Current | 16A |
| Number of poles | 5p |
| Arrangement of phases | 3p+N+PE |
| Position of earth contact | 9 h |
| Voltage | 120/208 - 144/250V~ |
| Frequency | 50/60Hz |

| Product description | |
|------------------------|--|
| Protection degree | IP54 |
| Colour code | blue RAL 5015 |
| Colour of appliance | Collar blue RAL 5015, Cable gland dark grey RAL 7012, Housing cover dark grey RAL 7012 |
| Connection design | screwless spring-clamp technology |
| Maximum conductor size | 2,5 qmm |
| Cable entry | with cable gland |
| Height | 147mm |
| Width | 71mm |
| Depth | 75mm |
| Material of enclosure | Polyamide |
| Contacts | the contacts are brass nickel plated, The contact carrier is made of polyamide |

| Additional technical information | |
|----------------------------------|---|
| | MULTI-GRIP cable gland with gasket and integrated strain relief, For cable diameter from 8 up to max. 18 mm, The enclosure components are connected without screws and are secured by a snap-lock mechanism. Opening is only possible with a screwdriver. |

| Logistics data | |
|----------------|-----------------|
| Weight/pcs | 0.16 kg / Piece |
| Packaging | Bag |
| Content amount | 1 ST |

| Logistics data | |
|----------------|---------------|
| EAN | 4024941002240 |
| Length | 75 mm |
| Width | 71 mm |
| Height | 147 mm |
| Weight | 0.161 kg |
| Volume | 782.775 ccm |
| Packaging | Carton |
| Content amount | 10 ST |
| EAN | 4024941963817 |
| Length | 275 mm |
| Width | 175 mm |
| Height | 137 mm |
| Weight | 1.725 kg |
| Volume | 5,737.5 ccm |



| Ampere Polzahl | 16 3 | 16 4 | 16 5 | 32 3 | 32 4 | 32 5 |
|----------------------------|---------|---------|---------|---------|---------|---------|
| a ø | 53,0 | 60,0 | 66,0 | 74,5 | 74,5 | 74,5 |
| b | 93,5 | 100,5 | 103,0 | 121,0 | 121,0 | 121,5 |
| c | 134,0 | 141,0 | 142,0 | 174,0 | 174,0 | 174,5 |
| d | 97,5 | 104,5 | 105,5 | 128,0 | 128,0 | 128,5 |
| e ø | 18,0 | 18,0 | 18,0 | 23,0 | 23,0 | 23,0 |
| f | 57,5 | 64,5 | 70,5 | 78,0 | 78,0 | 80,0 |
| Leiter mm ² min | 1 | 1 | 1 | 2,5 | 2,5 | 2,5 |
| Leiter mm ² max | 2,5 | 2,5 | 2,5 | 6 | 6 | 6 |
| | | | | | | |
| | | | | | | |
| | | | | | | |

