

## phase inverter - with screwless terminals



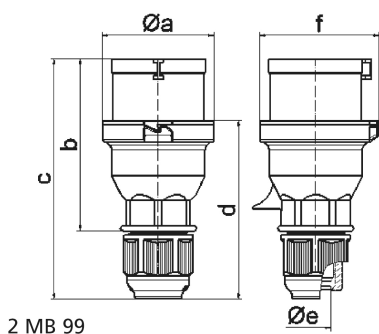
Product description	
BALS-Prd.-Nr	225
EAN	4024941002257
Product category	Quick-Connect phase inverter Multi-Grip cable gland
Current	16A
Number of poles	5p
Arrangement of phases	3p+N+PE
Position of earth contact	6 h
Voltage	200/346 - 240/415V~
Frequency	50/60Hz

Product description	
Protection degree	IP44
Colour code	red RAL 3000
Colour of appliance	Collar red RAL 3000, Housing cover dark grey RAL 7012, Cable gland dark grey RAL 7012
Connection design	screwless spring-clamp technology
Maximum conductor size	2,5 qmm
Cable entry	with cable gland
Height	147mm
Width	71mm
Depth	75mm
Material of enclosure	Polyamide
Contacts	the contacts are brass nickel plated, The contact carrier is made of polyamide

Additional technical information	
	Multi-Grip cable gland with gasket and integrated strain relief, For cable diameter from 8 up to max. 18 mm, Screwless housing connection with snap fastening

Logistics data	
Weight/pcs	0.176 kg / Piece
Packaging	Carton
Content amount	10 ST
EAN	4024941958127

Logistics data	
Length	275 mm
Width	175 mm
Height	137 mm
Weight	1.885 kg
Volume	5,737.5 ccm



2 MB 99

Ampere	16	16	16	32	32	32
Polzahl	3	4	5	3	4	5
a ø	53,0	60,0	66,0	74,5	74,5	74,5
b	93,5	100,5	103,0	121,0	121,0	121,5
c	134,0	141,0	142,0	174,0	174,0	174,5
d	97,5	104,5	105,5	128,0	128,0	128,5
e ø	18,0	18,0	18,0	23,0	23,0	23,0
f	57,5	64,5	70,5	78,0	78,0	80,0
Leiter mm <sup>2</sup> min	1	1	1	2,5	2,5	2,5
Leiter mm <sup>2</sup> max	2,5	2,5	2,5	6	6	6

