

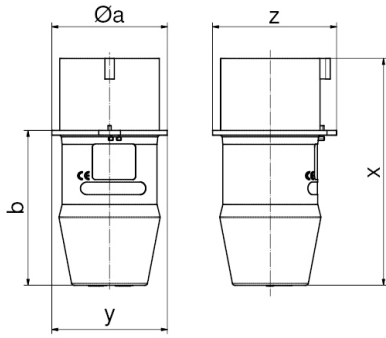
Phase sequence indicator - Test plug for reefer containers



Product description	
BALS-Prd.-Nr	2298
EAN	4024941022989
Product category	Phase sequence indicator
Current	32A
Number of poles	4p
Arrangement of phases	3P+PE
Position of earth contact	3 h
Voltage	380V~(50Hz) 440V~(60Hz) for reefer containers only

Product description	
Frequency	50/60Hz
Protection degree	IP44
Indication three phases	yes
Motor rotation direction tester	yes
Contact less detection of the sense of rotation	yes
Height	142mm
Width	66mm
Depth	66mm

Logistics data	
Weight/pcs	0.225 kg / Piece
Packaging	Carton
Content amount	1 ST
EAN	4024941022989
Length	205 mm
Width	102 mm
Height	134 mm
Weight	0.285 kg
Volume	2,118.48 ccm



Ampere Polzahl	16 4	16 5	32 4	32 5
$\varnothing a$	58,0	64,0	66,0	73,0
b	76,0	80,0	95,0	98,0
x	112,0	116,0	141,0	144,0
y	58,0	64,0	66,0	73,0
z	63,0	68,0	78,0	79,0