

Angled plug - with inward-curving cable sleeve



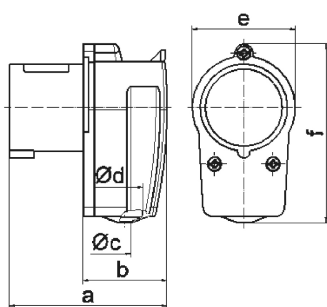
Product description	
BALS-Prd.-Nr	230
EAN	4024941002301
Product category	angled plug
Current	16A
Number of poles	3p
Arrangement of phases	2P+PE
Position of earth contact	4 h
Voltage	100 - 130V~
Frequency	50/60Hz

Product description	
Protection degree	IP44
Colour code	yellow RAL 1012
Colour of appliance	Collar yellow RAL 1012, anti-kink sleeve grey RAL 7035, Enclosure grey RAL 7035
Connection design	with screw terminal
Maximum conductor size	2,5 qmm
Cable entry	Anti-kink sleeve
Height	89mm
Width	51mm
Depth	78mm
Material of enclosure	Polyamide
Contacts	the contact carrier is made of polyamide, the contacts are brass

Additional technical information	
	With internal cable sleeve

Logistics data	
Weight/pcs	0.124 kg / Piece
Packaging	Bag
Content amount	1 ST
EAN	4024941002301
Length	78 mm

Logistics data	
Width	51 mm
Height	89 mm
Weight	0.125 kg
Volume	354.042 ccm
Packaging	Carton
Content amount	10 ST
EAN	4024941968775
Length	275 mm
Width	175 mm
Height	137 mm
Weight	1.365 kg
Volume	5,737.5 ccm



2 MB 12

Ampere	16	16	16	32		
Polzahl	3	4	5	5		
a	80,0	85,0	96,0	116,0		
b	44,0	49,0	59,0	70,0		
c ø	6,5	6,5	8,0	10,0		
d ø	18,0	18,0	18,0	25,0		
e	51,0	57,0	64,0	-		
f	90,0	95,0	74,0	101,0		
Leiter mm ² min	1	1	1	2,5		
Leiter mm ² max	2,5	2,5	2,5	6		