

Wall mounting appliance inlet - housing dimensions 460x180



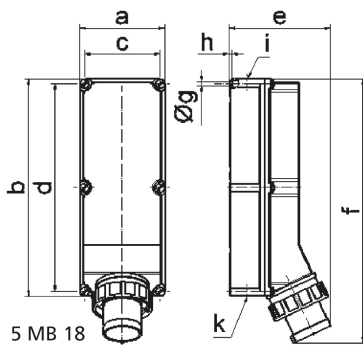
| Product description | |
|---------------------------|-------------------------------|
| BALS-Prd.-Nr | 24010 |
| EAN | 4024941240109 |
| Product category | Wall mounting appliance inlet |
| Current | 125A |
| Number of poles | 5p |
| Arrangement of phases | 3p+N+PE |
| Position of earth contact | 6 h |
| Voltage | 200/346 - 240/415V~ |

| Product description | |
|------------------------|---|
| Frequency | 50/60Hz |
| Protection degree | IP67 |
| Colour code | red RAL 3000 |
| Colour of appliance | Collar red RAL 3000, Bayonet ring grey RAL 7035, Housing screws grey RAL 7035, Housing bottom grey RAL 7035 |
| Connection design | screw terminal as box terminal |
| Maximum conductor size | 50.0 qmm |
| Cable entry | top entry M40 bottom entry M50/M40 |
| Height | 562mm |
| Width | 180mm |
| Depth | 220mm |
| Dimension of enclosure | 460x180 mm (HxW) |
| Material of enclosure | Polycarbonate |
| Contacts | the contact carrier is made of high temperature resistant material, the contacts are brass nickel plated |

| Additional technical information | |
|----------------------------------|--|
| | The cable entry is one at top and two at bottom open |
| | with terminal strip 5x50 qmm and wiring |

| Logistics data | |
|----------------|-----------------|
| Weight/pcs | 4.27 kg / Piece |

| Logistics data | |
|----------------|---------------|
| Packaging | Carton |
| Content amount | 1 ST |
| EAN | 4024941240109 |
| Length | 560 mm |
| Width | 215 mm |
| Height | 260 mm |
| Weight | 4.732 kg |
| Volume | 26,400 ccm |



| Ampere | 125 | 125 | 125 | | | | |
|----------------------------|--------|--------|--------|--|--|--|--|
| Polzahl | 3 | 4 | 5 | | | | |
| a | 180,0 | 180,0 | 180,0 | | | | |
| b | 460,0 | 460,0 | 460,0 | | | | |
| c | 160,0 | 160,0 | 160,0 | | | | |
| d | 440,0 | 440,0 | 440,0 | | | | |
| e | 220,0 | 220,0 | 220,0 | | | | |
| f | 562,0 | 562,0 | 562,0 | | | | |
| g ø | 8,3 | 8,3 | 8,3 | | | | |
| h | 6,5 | 6,5 | 6,5 | | | | |
| i | M40 | M40 | M40 | | | | |
| k | M40/50 | M40/50 | M40/50 | | | | |
| Leiter mm ² min | 16 | 16 | 16 | | | | |
| Leiter mm ² max | 50 | 50 | 50 | | | | |