

Wall mounting appliance inlet - housing dimensions 170x118

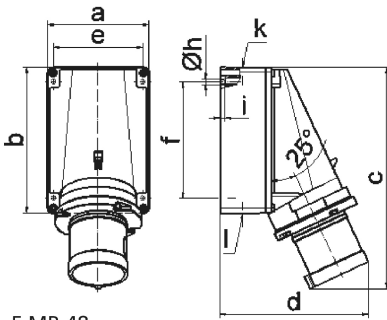


Product description	
BALS-Prd.-Nr	24594
EAN	4024941245944
Product category	TE wall mounting appliance inlet
Current	63A
Number of poles	5p
Arrangement of phases	3p+N+PE
Position of earth contact	1 h

Product description	
Voltage	> 50V for all other not classified voltages and/or frequencies. This time position can additionally process in special applications, in which a distinction to standardized positions needed to be used.
Protection degree	IP44
Colour code	grey RAL 7035
Colour of appliance	Housing bottom grey RAL 7035, Housing top grey RAL 7035, Collar grey RAL 7035
Connection design	with screw terminal
Maximum conductor size	16,0 qmm
Cable entry	top entry M40 bottom entry M32
Height	259mm
Width	118mm
Depth	174mm
Dimension of enclosure	170x118 mm (HxW)
Material of enclosure	Polycarbonate
Contacts	the contact carrier is made of high temperature resistant material, the contacts are brass nickel plated

Additional technical information	
	The cable entry is one at top open and two at bottom closed
	Lower part of housing rotatable by 180°

Logistics data	
Weight/pcs	0.93 kg / Piece
Packaging	Bag
Content amount	1 ST
EAN	4024941245944
Length	174 mm
Width	118 mm
Height	259 mm
Weight	0.931 kg
Volume	5,317.788 ccm
Packaging	Carton
Content amount	5 ST
EAN	4024941836326
Length	445 mm
Width	335 mm
Height	210 mm
Weight	5.026 kg
Volume	29,040 ccm



5 MB 48

Ampere	63	63	63			
Polzahl	3	4	5			
a	118,0	118,0	118,0			
b	170,0	170,0	170,0			
c	259,0	259,0	259,0			
d	174,0	174,0	174,0			
e	104,0	104,0	104,0			
f	136,0	136,0	136,0			
h \varnothing	6,1	6,1	6,1			
i	6,0	6,0	6,0			
k	M40	M40	M40			
l	M32/32	M32/32	M32/32			
Leiter mm ² min	6	6	6			
Leiter mm ² max	16	16	16			