

Wall mounting appliance inlet - with hinged cover



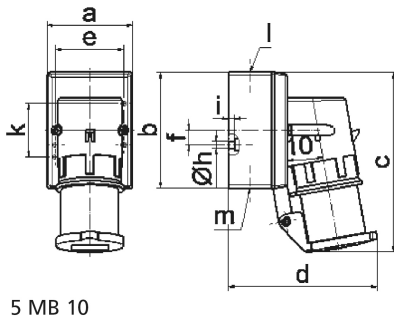
Product description	
BALS-Prd.-Nr	2460
EAN	4024941024600
Product category	Wall mounting appliance inlet
Current	16A
Number of poles	3p
Arrangement of phases	2P+PE
Position of earth contact	4 h
Voltage	100 - 130V~
Frequency	50/60Hz

Product description	
Protection degree	IP44
Colour code	yellow RAL 1012
Colour of appliance	Collar yellow RAL 1012, Hinged lid grey RAL 7035, Housing bottom grey RAL 7035, Housing top grey RAL 7035
Connection design	with screw terminal
Maximum conductor size	2,5 qmm
Cable entry	top entry M20
Height	135mm
Width	64mm
Depth	112mm
Dimension of enclosure	87x64 mm (HxW)
Material of enclosure	Polyamide
Contacts	the contact carrier is made of polyamide, the contacts are brass

Additional technical information	
	The cable entry is one at top open and one at bottom and one rear side closed
	With hinged lid

Logistics data	
Weight/pcs	0.206 kg / Piece
Packaging	Bag

Logistics data	
Content amount	1 ST
EAN	4024941024600
Length	112 mm
Width	64 mm
Height	135 mm
Weight	0.207 kg
Volume	967.68 ccm
Packaging	Carton
Content amount	10 ST
EAN	4024941853071
Length	295 mm
Width	185 mm
Height	215 mm
Weight	2.224 kg
Volume	9,975 ccm



Ampere	16	16				
Polzahl	3	4				
a	64,0	75,0				
b	87,0	100,0				
c	138,0	150,0				
d	111,0	120,0				
e	51,0	59,0				
f	-	11,0				
h ø	4,1	5,1				
i	4,5	4,5				
k	40,0	-				
l	M20	M20				
m	für M20	für M20				
Leiter mm ² min	1	1				
Leiter mm ² max	2,5	2,5				