

wall mounting appliance inlet - INNOLINQ lead-free, with QUICK-CONNECT



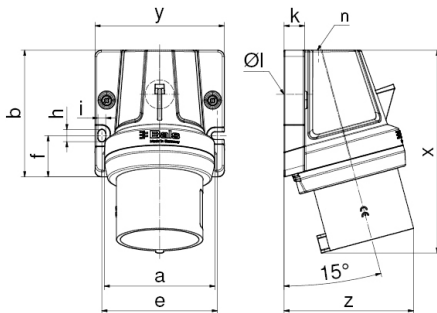
| Product description | |
|---------------------------|---|
| BALS-Prd.-Nr | 24703 |
| EAN | 4024941352192 |
| Product category | Wall mounting appliance inlet INNOLINQ QC |
| Current | 32A |
| Number of poles | 4p |
| Arrangement of phases | 3P+PE |
| Position of earth contact | 6 h |
| Voltage | 380 - 415V~ |

| Product description | |
|------------------------|--|
| Frequency | 50/60Hz |
| Protection degree | IP44 |
| Colour code | red RAL 3000 |
| Colour of appliance | Housing top dark grey RAL 7012, Collar red RAL 3000, Housing bottom dark grey RAL 7012 |
| Connection design | screwless spring terminals with KONTEX-ULTRA contact |
| Maximum conductor size | 10,0 qmm |
| Cable entry | M32 |
| Height | 147mm |
| Width | 94mm |
| Depth | 92mm |
| Dimension of enclosure | 92x94 mm (HxW) |
| Material of enclosure | Polyamide |
| Contacts | The contacts are brass, The contact carrier is made of high temperature resistant material |

| Additional technical information | |
|----------------------------------|---|
| | The cable entry is one at top open and one at bottom closed, This product is without any lead |

| Logistics data | |
|----------------|----------------|
| Weight/pcs | 0.0 kg / Piece |
| Packaging | Bag |

| Logistics data | |
|----------------|---------------|
| Content amount | 1 ST |
| EAN | 4024941352192 |
| Length | 92 mm |
| Width | 94 mm |
| Height | 147 mm |
| Weight | 0.001 kg |
| Volume | 1,271.256 ccm |



| Ampere Polzahl | 16 5 | 32 3 | 32 4 | 32 5 |
|---------------------------|---------|---------|---------|---------|
| a | 80,0 | 80,0 | 80,0 | 80,0 |
| b | 92,0 | 92,0 | 92,0 | 92,0 |
| e | 84,0 | 84,0 | 84,0 | 84,0 |
| f | 30,0 | 30,0 | 30,0 | 30,0 |
| h | 9,0 | 9,0 | 9,0 | 9,0 |
| i | 5,5 | 5,5 | 5,5 | 5,5 |
| k | 15,0 | 15,0 | 15,0 | 15,0 |
| Øl | 21,0 | 21,0 | 21,0 | 21,0 |
| n | M32 | M32 | M32 | M32 |
| x | 134,0 | 147,0 | 147,0 | 148,0 |
| y | 94,0 | 94,0 | 94,0 | 94,0 |
| z | 93,0 | 92,0 | 92,0 | 95,0 |
| Cond. mm ² min | 1,0 | 2,5 | 2,5 | 2,5 |
| Cond. mm ² max | 4,0 | 10,0 | 10,0 | 10,0 |

