

Panel mounting appliance inlet - 7 poles without closure cap

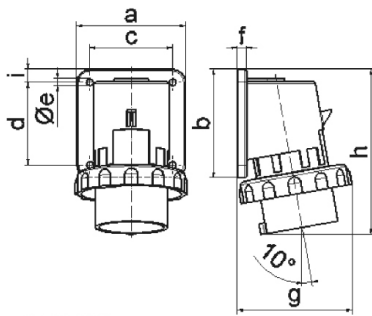


Product description	
BALS-Prd.-Nr	26005
EAN	4024941260053
Product category	TE surface mounting appliance inlet
Current	32A
Number of poles	7p
Arrangement of phases	6p+PE
Position of earth contact	9 h
Voltage	230V~

Product description	
Frequency	50/60Hz
Protection degree	IP67
Colour code	blue RAL 5015
Colour of appliance	Collar blue RAL 5015, Bayonet ring grey RAL 7035, Enclosure grey RAL 7035
Connection design	with screw terminal
Maximum conductor size	6,0 qmm
Cable entry	other
Height	139mm
Width	100mm
Depth	102mm
Flange size vertical in mm	75mm
Flange size horizontal in mm	90mm
Drill hole dist. vertical mm	45mm
Drill hole dist. horizontal mm	78mm
Material of enclosure	Polyamide
Contacts	the contact carrier is made of high temperature resistant material, the contacts are brass nickel plated

Logistics data	
Weight/pcs	0.0 kg / Piece
Packaging	Bag

Logistics data	
Content amount	1 ST
EAN	4024941260053
Length	102 mm
Width	100 mm
Height	139 mm
Weight	0.001 kg
Volume	1,417.8 ccm



5 MB 182

Ampere	16	32					
Polzahl	7	7					
a	84,0	90,0					
b	84,0	75,0					
c	64,0	78,0					
d	64,0	45,0					
e ø	5,5	5,5					
f	7,0	7,0					
g	90,0	101,0					
h	129,0	139,0					
i	10,0	13,0					
Leiter mm ² min	1	2,5					
Leiter mm ² max	2,5	6					