

Panel mounting appliance inlet - 7 poles without closure cap

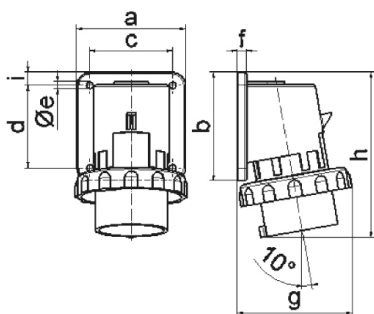


Product description	
BALS-Prd.-Nr	26006
EAN	4024941260060
Product category	TE surface mounting appliance inlet
Current	32A
Number of poles	7p
Arrangement of phases	6p+PE
Position of earth contact	6 h
Voltage	400V~

Product description	
Frequency	50/60Hz
Protection degree	IP67
Colour code	red RAL 3000
Colour of appliance	Collar red RAL 3000, Bayonet ring grey RAL 7035, Enclosure grey RAL 7035
Connection design	with screw terminal
Maximum conductor size	6,0 qmm
Cable entry	other
Height	139mm
Width	100mm
Depth	102mm
Flange size vertical in mm	75mm
Flange size horizontal in mm	90mm
Drill hole dist. vertical mm	45mm
Drill hole dist. horizontal mm	78mm
Material of enclosure	Polyamide
Contacts	the contact carrier is made of high temperature resistant material, the contacts are brass nickel plated

Logistics data	
Weight/pcs	0.333 kg / Piece
Packaging	Bag

Logistics data	
Content amount	1 ST
EAN	4024941260060
Length	102 mm
Width	100 mm
Height	139 mm
Weight	0.334 kg
Volume	1,417.8 ccm
Packaging	Carton
Content amount	10 ST
EAN	4024941823029
Length	325 mm
Width	217 mm
Height	210 mm
Weight	3.536 kg
Volume	13,588.4 ccm



5 MB 182

Ampere	16	32					
Polzahl	7	7					
a	84,0	90,0					
b	84,0	75,0					
c	64,0	78,0					
d	64,0	45,0					
e ø	5,5	5,5					
f	7,0	7,0					
g	90,0	101,0					
h	129,0	139,0					
i	10,0	13,0					
Leiter mm ² min	1	2,5					
Leiter mm ² max	2,5	6					