

Phase inverter as wall panel mounting appliance inlet - with hinged cover

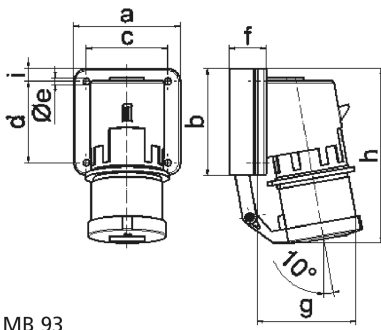


Product description	
BALS-Prd.-Nr	26020
EAN	4024941260206
Product category	Phase inverter as surface mounting appliance inlet
Current	16A
Number of poles	5p
Arrangement of phases	3p+N+PE
Position of earth contact	6 h
Voltage	200/346 - 240/415V~

Product description	
Frequency	50/60Hz
Protection degree	IP44
Colour code	red RAL 3000
Colour of appliance	Hinged lid grey RAL 7035, Collar red RAL 3000, Enclosure grey RAL 7035
Connection design	with screw terminal
Maximum conductor size	2,5 qmm
Cable entry	other
Height	138mm
Width	84mm
Depth	105mm
Flange size vertical in mm	84mm
Flange size horizontal in mm	84mm
Drill hole dist. vertical mm	64mm
Drill hole dist. horizontal mm	64mm
Material of enclosure	Polyamide
Contacts	the contact carrier is made of polyamide, the contacts are brass nickel plated

Additional technical information	
	With hinged lid

Logistics data	
Weight/pcs	0.274 kg / Piece
Packaging	Bag
Content amount	1 ST
EAN	4024941260206
Length	105 mm
Width	84 mm
Height	138 mm
Weight	0.275 kg
Volume	1,217.16 ccm
Packaging	Carton
Content amount	10 ST
EAN	4024941834346
Length	325 mm
Width	217 mm
Height	210 mm
Weight	2.946 kg
Volume	13,588.4 ccm



Ampere	16	32				
Polzahl	5	5				
a	84,0	90,0				
b	84,0	75,0				
c	64,0	78,0				
d	64,0	45,0				
e Ø	5,5	5,5				
f	29,0	29,0				
g	105,0	115,0				
h	138,0	150,0				
i	10,0	13,0				
Leiter mm ² min	1	2,5				
Leiter mm ² max	2,5	6				

5 MB 93