

## Phase inverter as wall panel mounting appliance inlet - without hinged cover

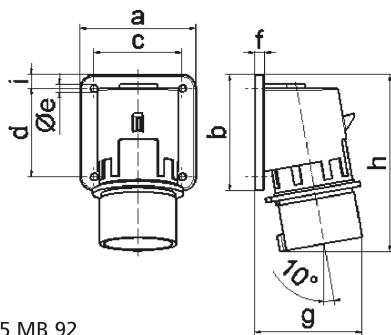


Product description	
BALS-Prd.-Nr	2603
EAN	4024941026031
Product category	Phase inverter as surface mounting appliance inlet
Current	32A
Number of poles	5p
Arrangement of phases	3p+N+PE
Position of earth contact	6 h
Voltage	200/346 - 240/415V~

Product description	
Frequency	50/60Hz
Protection degree	IP44
Colour code	red RAL 3000
Colour of appliance	Collar red RAL 3000, Enclosure grey RAL 7035
Connection design	with screw terminal
Maximum conductor size	6,0 qmm
Cable entry	other
Height	139mm
Width	90mm
Depth	89mm
Flange size vertical in mm	75mm
Flange size horizontal in mm	90mm
Drill hole dist. vertical mm	45mm
Drill hole dist. horizontal mm	78mm
Material of enclosure	Polyamide
Contacts	the contact carrier is made of polyamide, the contacts are brass

Logistics data	
Weight/pcs	0.25 kg / Piece
Packaging	Bag
Content amount	1 ST

Logistics data	
EAN	4024941026031
Length	89 mm
Width	90 mm
Height	139 mm
Weight	0.251 kg
Volume	1,113.39 ccm
Packaging	Carton
Content amount	10 ST
EAN	4024941966344
Length	295 mm
Width	185 mm
Height	215 mm
Weight	2.664 kg
Volume	9,975 ccm



Ampere	16	32				
Polzahl	5	5				
a	84,0	90,0				
b	84,0	75,0				
c	64,0	78,0				
d	64,0	45,0				
e ø	5,5	5,5				
f	7,0	7,0				
g	78,0	88,0				
h	129,0	139,0				
i	10,0	13,0				
Leiter mm <sup>2</sup> min	1	2,5				
Leiter mm <sup>2</sup> max	2,5	6				