

Panel mounting appliance inlet - without closure cap

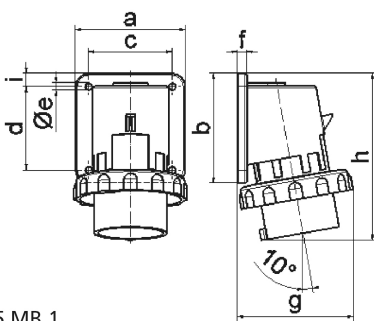


Product description	
BALS-Prd.-Nr	2614
EAN	4024941026147
Product category	Surface mounting appliance inlet
Current	16A
Number of poles	3p
Arrangement of phases	2P+PE
Position of earth contact	6 h
Voltage	200 - 250V~
Frequency	50/60Hz

Product description	
Protection degree	IP67
Colour code	blue RAL 5015
Colour of appliance	Collar blue RAL 5015, Bayonet ring grey RAL 7035, Enclosure grey RAL 7035
Connection design	with screw terminal
Maximum conductor size	2,5 qmm
Cable entry	other
Height	126mm
Width	74mm
Depth	80mm
Flange size vertical in mm	84mm
Flange size horizontal in mm	74mm
Drill hole dist. vertical mm	64mm
Drill hole dist. horizontal mm	58mm
Material of enclosure	Polyamide
Contacts	the contact carrier is made of polyamide, the contacts are brass nickel plated

Logistics data	
Weight/pcs	0.159 kg / Piece
Packaging	Bag
Content amount	1 ST
EAN	4024941026147

Logistics data	
Length	80 mm
Width	74 mm
Height	126 mm
Weight	0.16 kg
Volume	745.92 ccm
Packaging	Carton
Content amount	10 ST
EAN	4024941968980
Length	245 mm
Width	177 mm
Height	185 mm
Weight	1.723 kg
Volume	7,140 ccm



5 MB 1

Ampere	16	16	16	32	32	32
Polzahl	3	4	5	3	4	5
a	74,0	75,0	84,0	90,0	90,0	90,0
b	84,0	100,0	84,0	75,0	75,0	75,0
c	58,0	62,0	64,0	78,0	78,0	78,0
d	64,0	74,0	64,0	45,0	45,0	45,0
e ø	5,5	4,3	5,5	5,5	5,5	5,5
f	12,0	12,0	7,0	7,0	7,0	7,0
g	80,0	88,0	90,0	100,0	100,0	101,0
h	128,0	145,0	129,0	138,0	138,0	139,0
i	-	-	10,0	13,0	13,0	13,0
Leiter mm² min	1	1	1	2,5	2,5	2,5
Leiter mm² max	2,5	2,5	2,5	6	6	6