

Panel mounting appliance inlet - with hinged cover



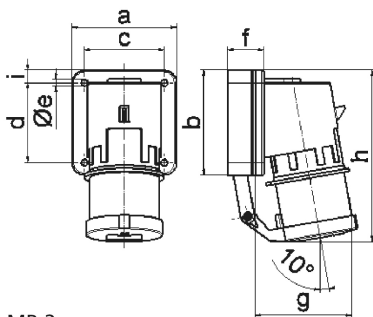
Product description	
BALS-Prd.-Nr	2629
EAN	4024941026291
Product category	Surface mounting appliance inlet
Current	16A
Number of poles	4p
Arrangement of phases	3P+PE
Position of earth contact	9 h
Voltage	200 - 250V~
Frequency	50/60Hz

Product description	
Protection degree	IP44
Colour code	blue RAL 5015
Colour of appliance	Hinged lid grey RAL 7035, Collar blue RAL 5015, Enclosure grey RAL 7035
Connection design	with screw terminal
Maximum conductor size	2,5 qmm
Cable entry	other
Height	150mm
Width	75mm
Depth	87mm
Flange size vertical in mm	100mm
Flange size horizontal in mm	75mm
Drill hole dist. vertical mm	74mm
Drill hole dist. horizontal mm	62mm
Material of enclosure	Polyamide
Contacts	the contact carrier is made of polyamide, the contacts are brass

Additional technical information	
	With hinged lid

Logistics data	
Weight/pcs	0.185 kg / Piece

Logistics data	
Packaging	Bag
Content amount	1 ST
EAN	4024941026291
Length	87 mm
Width	75 mm
Height	150 mm
Weight	0.186 kg
Volume	978.75 ccm



5 MB 2

Ampere	16	16	16	32	32	32
Polzahl	3	4	5	3	4	5
a	74,0	75,0	84,0	90,0	90,0	90,0
b	84,0	100,0	84,0	75,0	75,0	75,0
c	58,0	62,0	64,0	78,0	78,0	78,0
d	64,0	74,0	64,0	45,0	45,0	45,0
e ø	5,5	4,3	5,5	5,5	5,5	5,5
f	12,0	12,0	29,0	29,0	29,0	29,0
g	78,0	88,0	105,0	114,0	114,0	115,0
h	134,0	151,0	138,0	149,0	149,0	150,0
i	-	-	-	13,0	13,0	13,0
Leiter mm ² min	1	1	1	2,5	2,5	2,5
Leiter mm ² max	2,5	2,5	2,5	6	6	6