

Panel mounting appliance inlet - with hinged cover



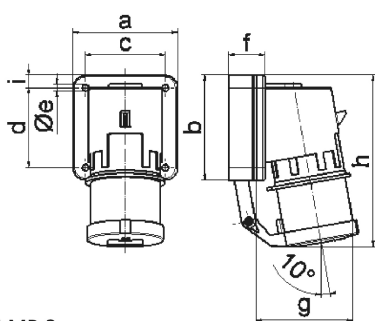
| Product description | |
|---------------------------|----------------------------------|
| BALS-Prd.-Nr | 2631 |
| EAN | 4024941026314 |
| Product category | Surface mounting appliance inlet |
| Current | 16A |
| Number of poles | 4p |
| Arrangement of phases | 3P+PE |
| Position of earth contact | 7 h |
| Voltage | 480 - 500V~ |
| Frequency | 50/60Hz |

| Product description | |
|--------------------------------|--|
| Protection degree | IP44 |
| Colour code | black RAL 9005 |
| Colour of appliance | Collar black RAL 9005, Hinged lid grey RAL 7035, Enclosure grey RAL 7035 |
| Connection design | with screw terminal |
| Maximum conductor size | 2,5 qmm |
| Cable entry | other |
| Height | 150mm |
| Width | 75mm |
| Depth | 87mm |
| Flange size vertical in mm | 100mm |
| Flange size horizontal in mm | 75mm |
| Drill hole dist. vertical mm | 74mm |
| Drill hole dist. horizontal mm | 62mm |
| Material of enclosure | Polyamide |
| Contacts | the contact carrier is made of polyamide, the contacts are brass |

| Additional technical information | |
|----------------------------------|-----------------|
| | With hinged lid |

| Logistics data | |
|----------------|----------------|
| Weight/pcs | 0.0 kg / Piece |

| Logistics data | |
|----------------|---------------|
| Packaging | Bag |
| Content amount | 1 ST |
| EAN | 4024941026314 |
| Length | 87 mm |
| Width | 75 mm |
| Height | 150 mm |
| Weight | 0.001 kg |
| Volume | 978.75 ccm |
| Packaging | Carton |
| Content amount | 10 ST |
| EAN | 4024941833301 |
| Length | 295 mm |
| Width | 185 mm |
| Height | 215 mm |
| Weight | 0.164 kg |
| Volume | 9,975 ccm |



5 MB 2

| Ampere Polzahl | 16 3 | 16 4 | 16 5 | 32 3 | 32 4 | 32 5 |
|----------------------------|---------|---------|---------|---------|---------|---------|
| a | 74,0 | 75,0 | 84,0 | 90,0 | 90,0 | 90,0 |
| b | 84,0 | 100,0 | 84,0 | 75,0 | 75,0 | 75,0 |
| c | 58,0 | 62,0 | 64,0 | 78,0 | 78,0 | 78,0 |
| d | 64,0 | 74,0 | 64,0 | 45,0 | 45,0 | 45,0 |
| e ø | 5,5 | 4,3 | 5,5 | 5,5 | 5,5 | 5,5 |
| f | 12,0 | 12,0 | 29,0 | 29,0 | 29,0 | 29,0 |
| g | 78,0 | 88,0 | 105,0 | 114,0 | 114,0 | 115,0 |
| h | 134,0 | 151,0 | 138,0 | 149,0 | 149,0 | 150,0 |
| i | - | - | - | 13,0 | 13,0 | 13,0 |
| Leiter mm ² min | 1 | 1 | 1 | 2,5 | 2,5 | 2,5 |
| Leiter mm ² max | 2,5 | 2,5 | 2,5 | 6 | 6 | 6 |