

## Panel mounting appliance inlet - with hinged cover



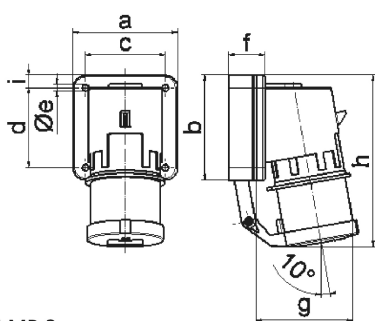
| Product description       |                                  |
|---------------------------|----------------------------------|
| BALS-Prd.-Nr              | 2636                             |
| EAN                       | 4024941026369                    |
| Product category          | Surface mounting appliance inlet |
| Current                   | 16A                              |
| Number of poles           | 5p                               |
| Arrangement of phases     | 3p+N+PE                          |
| Position of earth contact | 6 h                              |
| Voltage                   | 200/346 - 240/415V~              |
| Frequency                 | 50/60Hz                          |

| Product description            |  |
|--------------------------------|--|
| Protection degree              | IP44   |
| Colour code                    | red RAL 3000   |
| Colour of appliance            | Hinged lid grey RAL 7035, Collar red RAL 3000, Enclosure grey RAL 7035 |
| Connection design              | with screw terminal  |
| Maximum conductor size         | 2,5 qmm  |
| Cable entry                    | other  |
| Height                         | 138mm  |
| Width                          | 84mm   |
| Depth                          | 105mm  |
| Flange size vertical in mm     | 84mm   |
| Flange size horizontal in mm   | 84mm   |
| Drill hole dist. vertical mm   | 64mm   |
| Drill hole dist. horizontal mm | 64mm   |
| Material of enclosure          | Polyamide  |
| Contacts                       | the contact carrier is made of polyamide, the contacts are brass       |

| Additional technical information |                 |
|----------------------------------|-----------------|
|                                  | With hinged lid |

| Logistics data |                  |
|----------------|------------------|
| Weight/pcs     | 0.262 kg / Piece |

| Logistics data |               |
|----------------|---------------|
| Packaging      | Bag           |
| Content amount | 1 ST          |
| EAN            | 4024941026369 |
| Length         | 105 mm        |
| Width          | 84 mm         |
| Height         | 138 mm        |
| Weight         | 0.263 kg      |
| Volume         | 1,217.16 ccm  |
| Packaging      | Carton        |
| Content amount | 10 ST         |
| EAN            | 4024941963145 |
| Length         | 325 mm        |
| Width          | 217 mm        |
| Height         | 210 mm        |
| Weight         | 2.826 kg      |
| Volume         | 13,588.4 ccm  |



5 MB 2

| Ampere Polzahl             | 16<br>3 | 16<br>4 | 16<br>5 | 32<br>3 | 32<br>4 | 32<br>5 |
|----------------------------|---------|---------|---------|---------|---------|---------|
| a                          | 74,0    | 75,0    | 84,0    | 90,0    | 90,0    | 90,0    |
| b                          | 84,0    | 100,0   | 84,0    | 75,0    | 75,0    | 75,0    |
| c                          | 58,0    | 62,0    | 64,0    | 78,0    | 78,0    | 78,0    |
| d                          | 64,0    | 74,0    | 64,0    | 45,0    | 45,0    | 45,0    |
| e ø                        | 5,5     | 4,3     | 5,5     | 5,5     | 5,5     | 5,5     |
| f                          | 12,0    | 12,0    | 29,0    | 29,0    | 29,0    | 29,0    |
| g                          | 78,0    | 88,0    | 105,0   | 114,0   | 114,0   | 115,0   |
| h                          | 134,0   | 151,0   | 138,0   | 149,0   | 149,0   | 150,0   |
| i                          | -       | -       | -       | 13,0    | 13,0    | 13,0    |
| Leiter mm <sup>2</sup> min | 1       | 1       | 1       | 2,5     | 2,5     | 2,5     |
| Leiter mm <sup>2</sup> max | 2,5     | 2,5     | 2,5     | 6       | 6       | 6       |