

Panel mounting appliance inlet - with closure cap



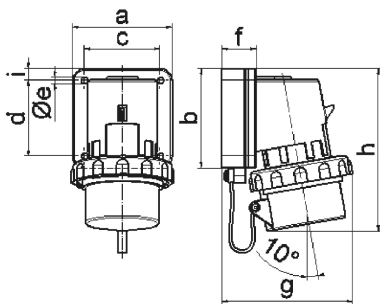
Product description	
BALS-Prd.-Nr	2641
EAN	4024941026413
Product category	Surface mounting appliance inlet
Current	16A
Number of poles	4p
Arrangement of phases	3P+PE
Position of earth contact	9 h
Voltage	200 - 250V~
Frequency	50/60Hz

Product description	
Protection degree	IP67
Colour code	blue RAL 5015
Colour of appliance	Closure cap grey RAL 7035, Collar blue RAL 5015, Bayonet ring grey RAL 7035, Enclosure grey RAL 7035
Connection design	with screw terminal
Maximum conductor size	2,5 qmm
Cable entry	other
Height	157mm
Width	79mm
Depth	89mm
Flange size vertical in mm	100mm
Flange size horizontal in mm	75mm
Drill hole dist. vertical mm	74mm
Drill hole dist. horizontal mm	62mm
Material of enclosure	Polyamide
Contacts	the contact carrier is made of polyamide, the contacts are brass nickel plated

Additional technical information	
	With closure cap

Logistics data	
Weight/pcs	0.0 kg / Piece

Logistics data	
Packaging	Bag
Content amount	1 ST
EAN	4024941026413
Length	89 mm
Width	79 mm
Height	157 mm
Weight	0.001 kg
Volume	1,103.867 ccm



5 MB 3

Ampere	16	16	16	32	32	32
Polzahl	3	4	5	3	4	5
a	74,0	75,0	84,0	90,0	90,0	90,0
b	84,0	100,0	84,0	75,0	75,0	75,0
c	58,0	62,0	64,0	78,0	78,0	78,0
d	64,0	74,0	64,0	45,0	45,0	45,0
e ø	5,5	4,3	5,5	5,5	5,5	5,5
f	12,0	12,0	29,0	29,0	29,0	29,0
g	80,0	88,0	111,0	123,0	123,0	123,0
h	133,0	152,0	134,0	147,0	147,0	148,0
i	-	-	10,0	13,0	13,0	13,0
Leiter mm ² min	1	1	1	2,5	2,5	2,5
Leiter mm ² max	2,5	2,5	2,5	6	6	6