

## Panel mounting appliance inlet - without hinged cover

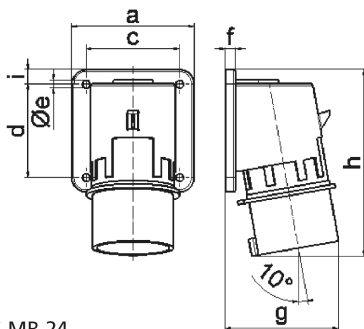


| Product description       |                                  |
|---------------------------|----------------------------------|
| BALS-Prd.-Nr              | 2662                             |
| EAN                       | 4024941026628                    |
| Product category          | Surface mounting appliance inlet |
| Current                   | 32A                              |
| Number of poles           | 3p                               |
| Arrangement of phases     | 2P+PE                            |
| Position of earth contact | 6 h                              |
| Voltage                   | 200 - 250V~                      |
| Frequency                 | 50/60Hz                          |

| Product description            |  |
|--------------------------------|--|
| Protection degree              | IP44   |
| Colour code                    | blue RAL 5015  |
| Colour of appliance            | Collar blue RAL 5015, Enclosure grey RAL 7035                    |
| Connection design              | with screw terminal  |
| Maximum conductor size         | 6,0 qmm  |
| Cable entry                    | other  |
| Height                         | 139mm  |
| Width                          | 90mm   |
| Depth                          | 86mm   |
| Flange size vertical in mm     | 75mm   |
| Flange size horizontal in mm   | 90mm   |
| Drill hole dist. vertical mm   | 45mm   |
| Drill hole dist. horizontal mm | 78mm   |
| Material of enclosure          | Polyamide  |
| Contacts                       | the contact carrier is made of polyamide, the contacts are brass |

| Logistics data |                  |
|----------------|------------------|
| Weight/pcs     | 0.205 kg / Piece |
| Packaging      | Bag              |
| Content amount | 1 ST             |
| EAN            | 4024941026628    |

| Logistics data |               |
|----------------|---------------|
| Length         | 86 mm         |
| Width          | 90 mm         |
| Height         | 139 mm        |
| Weight         | 0.206 kg      |
| Volume         | 1,075.86 ccm  |
| Packaging      | Carton        |
| Content amount | 10 ST         |
| EAN            | 4024941833073 |
| Length         | 295 mm        |
| Width          | 185 mm        |
| Height         | 215 mm        |
| Weight         | 2.214 kg      |
| Volume         | 9,975 ccm     |



5 MB 24

| Ampere                     | 16    | 16    | 16    | 32    | 32    | 32    |
|----------------------------|-------|-------|-------|-------|-------|-------|
| Polzahl                    | 3     | 4     | 5     | 3     | 4     | 5     |
| a                          | 74,0  | 75,0  | 84,0  | 90,0  | 90,0  | 90,0  |
| b                          | 84,0  | 100,0 | 84,0  | 75,0  | 75,0  | 75,0  |
| c                          | 58,0  | 62,0  | 64,0  | 78,0  | 78,0  | 78,0  |
| d                          | 64,0  | 74,0  | 64,0  | 45,0  | 45,0  | 45,0  |
| e ø                        | 5,5   | 4,3   | 5,5   | 5,5   | 5,5   | 5,5   |
| f                          | 12,0  | 12,0  | 7,0   | 7,0   | 7,0   | 7,0   |
| g                          | 70,0  | 77,0  | 78,0  | 86,0  | 86,0  | 88,0  |
| h                          | 128,0 | 145,0 | 129,0 | 138,0 | 138,0 | 140,0 |
| i                          | -     | -     | -     | 13,0  | 13,0  | 13,0  |
| Leiter mm <sup>2</sup> min | 1     | 1     | 1     | 2,5   | 2,5   | 2,5   |
| Leiter mm <sup>2</sup> max | 2,5   | 2,5   | 2,5   | 6     | 6     | 6     |