

Panel mounting appliance inlet - with hinged cover



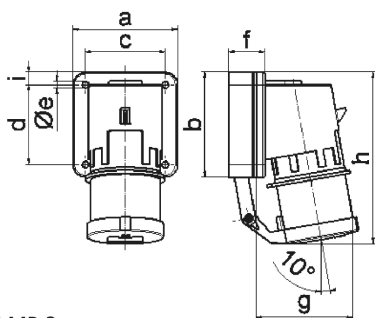
Product description	
BALS-Prd.-Nr	2685
EAN	4024941026857
Product category	Surface mounting appliance inlet
Current	32A
Number of poles	4p
Arrangement of phases	3P+PE
Position of earth contact	9 h
Voltage	200 - 250V~
Frequency	50/60Hz

Product description	
Protection degree	IP44
Colour code	blue RAL 5015
Colour of appliance	Hinged lid grey RAL 7035, Collar blue RAL 5015, Enclosure grey RAL 7035
Connection design	with screw terminal
Maximum conductor size	6,0 qmm
Cable entry	other
Height	148mm
Width	90mm
Depth	116mm
Flange size vertical in mm	75mm
Flange size horizontal in mm	90mm
Drill hole dist. vertical mm	45mm
Drill hole dist. horizontal mm	78mm
Material of enclosure	Polyamide
Contacts	the contact carrier is made of polyamide, the contacts are brass

Additional technical information	
	With hinged lid

Logistics data	
Weight/pcs	0.315 kg / Piece

Logistics data	
Packaging	Bag
Content amount	1 ST
EAN	4024941026857
Length	116 mm
Width	90 mm
Height	148 mm
Weight	0.316 kg
Volume	1,545.12 ccm
Packaging	Carton
Content amount	10 ST
EAN	4024941833271
Length	325 mm
Width	217 mm
Height	210 mm
Weight	3.356 kg
Volume	13,588.4 ccm



5 MB 2

Ampere Polzahl	16 3	16 4	16 5	32 3	32 4	32 5
a	74,0	75,0	84,0	90,0	90,0	90,0
b	84,0	100,0	84,0	75,0	75,0	75,0
c	58,0	62,0	64,0	78,0	78,0	78,0
d	64,0	74,0	64,0	45,0	45,0	45,0
e ø	5,5	4,3	5,5	5,5	5,5	5,5
f	12,0	12,0	29,0	29,0	29,0	29,0
g	78,0	88,0	105,0	114,0	114,0	115,0
h	134,0	151,0	138,0	149,0	149,0	150,0
i	-	-	-	13,0	13,0	13,0
Leiter mm ² min	1	1	1	2,5	2,5	2,5
Leiter mm ² max	2,5	2,5	2,5	6	6	6