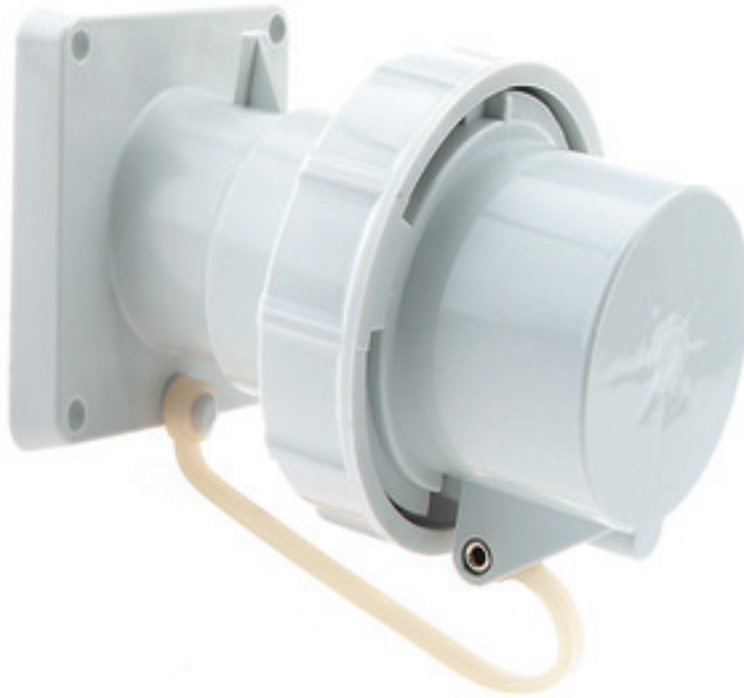


## Panel mounting appliance inlet angled - for reefer containers flange 85x85

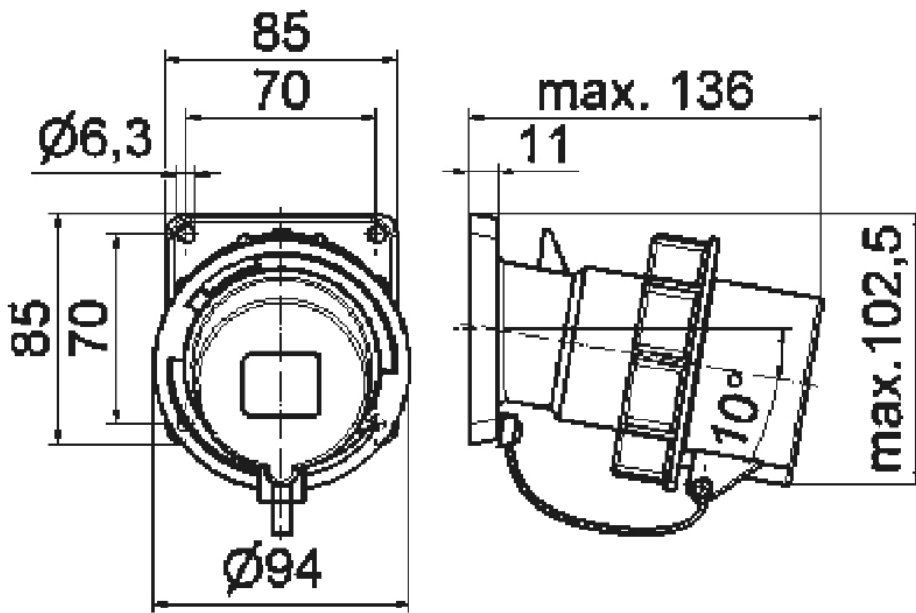


Product description	
BALS-Prd.-Nr	27027
EAN	4024941270274
Product category	TE panel mounting appliance inlet, angled
Current	32A
Number of poles	4p
Arrangement of phases	3P+PE
Position of earth contact	3 h
Voltage	380V~(50Hz) 440V~(60Hz) for reefer containers only

Product description	
Frequency	50/60Hz
Protection degree	IP67
Colour code	red RAL 3000
Colour of appliance	Closure cap grey RAL 7035, Collar red RAL 3000, Bayonet ring grey RAL 7035, Enclosure grey RAL 7035
Connection design	with screw terminal
Maximum conductor size	6,0 qmm
Cable entry	other
Height	104mm
Width	94mm
Depth	136mm
Flange size vertical in mm	85mm
Flange size horizontal in mm	85mm
Drill hole dist. vertical mm	70mm
Drill hole dist. horizontal mm	70mm
Material of enclosure	Polyamide
Contacts	the contact carrier is made of high temperature resistant material, the contacts are brass nickel plated

Additional technical information	
	The inclination is 10°
	With closure cap

Logistics data	
Weight/pcs	0.344 kg / Piece
Packaging	Bag
Content amount	1 ST
EAN	4024941270274
Length	136 mm
Width	94 mm
Height	104 mm
Weight	0.345 kg
Volume	1,329.536 ccm
Packaging	Carton
Content amount	10 ST
EAN	4024941823128
Length	325 mm
Width	217 mm
Height	210 mm
Weight	3.646 kg
Volume	13,588.4 ccm



## 5 MB 23